

Canon Video Product
SERVICE MANUAL

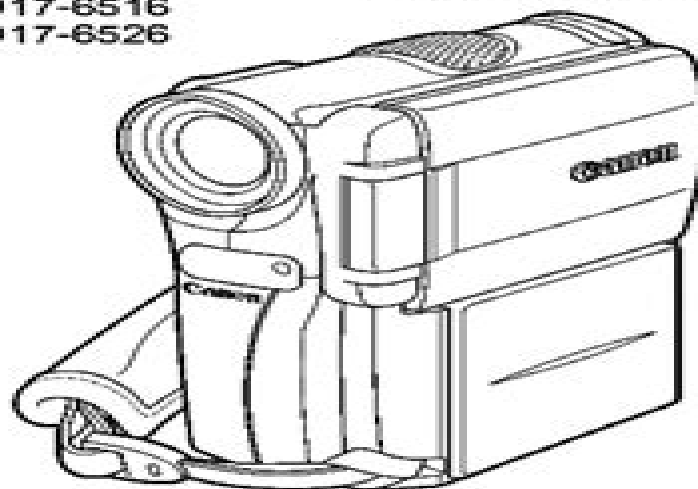
Mini DV Digital
Video
Cassette

DM-MV4 E
DM-MV4i MC E
DM-MV4i E

No. D17-6523
D17-6516
D17-6526

Digital Video Camera

PAL/iPAL



© CANON INC. 2001

Canon Inc.
Digital Imaging Products Service Dept.

First Edition : Sep. 2001
First Print : Sep. 2001

Canon Dm Mv4 Digital Video Camera Service Manual

Clifford Lane



Canon Dm Mv4 Digital Video Camera Service Manual:

The Enigmatic Realm of **Canon Dm Mv4 Digital Video Camera Service Manual**: Unleashing the Language is Inner Magic

In a fast-paced digital era where connections and knowledge intertwine, the enigmatic realm of language reveals its inherent magic. Its capacity to stir emotions, ignite contemplation, and catalyze profound transformations is nothing short of extraordinary. Within the captivating pages of **Canon Dm Mv4 Digital Video Camera Service Manual** a literary masterpiece penned by way of a renowned author, readers set about a transformative journey, unlocking the secrets and untapped potential embedded within each word. In this evaluation, we shall explore the book's core themes, assess its distinct writing style, and delve into its lasting affect the hearts and minds of those that partake in its reading experience.

https://oneclubsober.com/data/virtual-library/Download_PDFS/Cbr_1000_Service_Manual.pdf

Table of Contents Canon Dm Mv4 Digital Video Camera Service Manual

1. Understanding the eBook Canon Dm Mv4 Digital Video Camera Service Manual
 - The Rise of Digital Reading Canon Dm Mv4 Digital Video Camera Service Manual
 - Advantages of eBooks Over Traditional Books
2. Identifying Canon Dm Mv4 Digital Video Camera Service Manual
 - Exploring Different Genres
 - Considering Fiction vs. Non-Fiction
 - Determining Your Reading Goals
3. Choosing the Right eBook Platform
 - Popular eBook Platforms
 - Features to Look for in an Canon Dm Mv4 Digital Video Camera Service Manual
 - User-Friendly Interface
4. Exploring eBook Recommendations from Canon Dm Mv4 Digital Video Camera Service Manual
 - Personalized Recommendations
 - Canon Dm Mv4 Digital Video Camera Service Manual User Reviews and Ratings
 - Canon Dm Mv4 Digital Video Camera Service Manual and Bestseller Lists

5. Accessing Canon Dm Mv4 Digital Video Camera Service Manual Free and Paid eBooks
 - Canon Dm Mv4 Digital Video Camera Service Manual Public Domain eBooks
 - Canon Dm Mv4 Digital Video Camera Service Manual eBook Subscription Services
 - Canon Dm Mv4 Digital Video Camera Service Manual Budget-Friendly Options
6. Navigating Canon Dm Mv4 Digital Video Camera Service Manual eBook Formats
 - ePub, PDF, MOBI, and More
 - Canon Dm Mv4 Digital Video Camera Service Manual Compatibility with Devices
 - Canon Dm Mv4 Digital Video Camera Service Manual Enhanced eBook Features
7. Enhancing Your Reading Experience
 - Adjustable Fonts and Text Sizes of Canon Dm Mv4 Digital Video Camera Service Manual
 - Highlighting and Note-Taking Canon Dm Mv4 Digital Video Camera Service Manual
 - Interactive Elements Canon Dm Mv4 Digital Video Camera Service Manual
8. Staying Engaged with Canon Dm Mv4 Digital Video Camera Service Manual
 - Joining Online Reading Communities
 - Participating in Virtual Book Clubs
 - Following Authors and Publishers Canon Dm Mv4 Digital Video Camera Service Manual
9. Balancing eBooks and Physical Books Canon Dm Mv4 Digital Video Camera Service Manual
 - Benefits of a Digital Library
 - Creating a Diverse Reading Collection Canon Dm Mv4 Digital Video Camera Service Manual
10. Overcoming Reading Challenges
 - Dealing with Digital Eye Strain
 - Minimizing Distractions
 - Managing Screen Time
11. Cultivating a Reading Routine Canon Dm Mv4 Digital Video Camera Service Manual
 - Setting Reading Goals Canon Dm Mv4 Digital Video Camera Service Manual
 - Carving Out Dedicated Reading Time
12. Sourcing Reliable Information of Canon Dm Mv4 Digital Video Camera Service Manual
 - Fact-Checking eBook Content of Canon Dm Mv4 Digital Video Camera Service Manual
 - Distinguishing Credible Sources
13. Promoting Lifelong Learning

- Utilizing eBooks for Skill Development
 - Exploring Educational eBooks
14. Embracing eBook Trends
- Integration of Multimedia Elements
 - Interactive and Gamified eBooks

Canon Dm Mv4 Digital Video Camera Service Manual Introduction

In the digital age, access to information has become easier than ever before. The ability to download Canon Dm Mv4 Digital Video Camera Service Manual has revolutionized the way we consume written content. Whether you are a student looking for course material, an avid reader searching for your next favorite book, or a professional seeking research papers, the option to download Canon Dm Mv4 Digital Video Camera Service Manual has opened up a world of possibilities. Downloading Canon Dm Mv4 Digital Video Camera Service Manual provides numerous advantages over physical copies of books and documents. Firstly, it is incredibly convenient. Gone are the days of carrying around heavy textbooks or bulky folders filled with papers. With the click of a button, you can gain immediate access to valuable resources on any device. This convenience allows for efficient studying, researching, and reading on the go. Moreover, the cost-effective nature of downloading Canon Dm Mv4 Digital Video Camera Service Manual has democratized knowledge. Traditional books and academic journals can be expensive, making it difficult for individuals with limited financial resources to access information. By offering free PDF downloads, publishers and authors are enabling a wider audience to benefit from their work. This inclusivity promotes equal opportunities for learning and personal growth. There are numerous websites and platforms where individuals can download Canon Dm Mv4 Digital Video Camera Service Manual. These websites range from academic databases offering research papers and journals to online libraries with an expansive collection of books from various genres. Many authors and publishers also upload their work to specific websites, granting readers access to their content without any charge. These platforms not only provide access to existing literature but also serve as an excellent platform for undiscovered authors to share their work with the world. However, it is essential to be cautious while downloading Canon Dm Mv4 Digital Video Camera Service Manual. Some websites may offer pirated or illegally obtained copies of copyrighted material. Engaging in such activities not only violates copyright laws but also undermines the efforts of authors, publishers, and researchers. To ensure ethical downloading, it is advisable to utilize reputable websites that prioritize the legal distribution of content. When downloading Canon Dm Mv4 Digital Video Camera Service Manual, users should also consider the potential security risks associated with online platforms. Malicious actors may exploit vulnerabilities in unprotected websites to distribute malware or steal personal information. To protect themselves, individuals should ensure their devices have reliable antivirus software

installed and validate the legitimacy of the websites they are downloading from. In conclusion, the ability to download Canon Dm Mv4 Digital Video Camera Service Manual has transformed the way we access information. With the convenience, cost-effectiveness, and accessibility it offers, free PDF downloads have become a popular choice for students, researchers, and book lovers worldwide. However, it is crucial to engage in ethical downloading practices and prioritize personal security when utilizing online platforms. By doing so, individuals can make the most of the vast array of free PDF resources available and embark on a journey of continuous learning and intellectual growth.

FAQs About Canon Dm Mv4 Digital Video Camera Service Manual Books

1. Where can I buy Canon Dm Mv4 Digital Video Camera Service Manual books? Bookstores: Physical bookstores like Barnes & Noble, Waterstones, and independent local stores. Online Retailers: Amazon, Book Depository, and various online bookstores offer a wide range of books in physical and digital formats.
2. What are the different book formats available? Hardcover: Sturdy and durable, usually more expensive. Paperback: Cheaper, lighter, and more portable than hardcovers. E-books: Digital books available for e-readers like Kindle or software like Apple Books, Kindle, and Google Play Books.
3. How do I choose a Canon Dm Mv4 Digital Video Camera Service Manual book to read? Genres: Consider the genre you enjoy (fiction, non-fiction, mystery, sci-fi, etc.). Recommendations: Ask friends, join book clubs, or explore online reviews and recommendations. Author: If you like a particular author, you might enjoy more of their work.
4. How do I take care of Canon Dm Mv4 Digital Video Camera Service Manual books? Storage: Keep them away from direct sunlight and in a dry environment. Handling: Avoid folding pages, use bookmarks, and handle them with clean hands. Cleaning: Gently dust the covers and pages occasionally.
5. Can I borrow books without buying them? Public Libraries: Local libraries offer a wide range of books for borrowing. Book Swaps: Community book exchanges or online platforms where people exchange books.
6. How can I track my reading progress or manage my book collection? Book Tracking Apps: Goodreads, LibraryThing, and Book Catalogue are popular apps for tracking your reading progress and managing book collections. Spreadsheets: You can create your own spreadsheet to track books read, ratings, and other details.
7. What are Canon Dm Mv4 Digital Video Camera Service Manual audiobooks, and where can I find them? Audiobooks: Audio recordings of books, perfect for listening while commuting or multitasking. Platforms: Audible, LibriVox, and Google Play Books offer a wide selection of audiobooks.

8. How do I support authors or the book industry? Buy Books: Purchase books from authors or independent bookstores. Reviews: Leave reviews on platforms like Goodreads or Amazon. Promotion: Share your favorite books on social media or recommend them to friends.
9. Are there book clubs or reading communities I can join? Local Clubs: Check for local book clubs in libraries or community centers. Online Communities: Platforms like Goodreads have virtual book clubs and discussion groups.
10. Can I read Canon Dm Mv4 Digital Video Camera Service Manual books for free? Public Domain Books: Many classic books are available for free as they're in the public domain. Free E-books: Some websites offer free e-books legally, like Project Gutenberg or Open Library.

Find Canon Dm Mv4 Digital Video Camera Service Manual :

~~ebr 1000 service manual~~

~~cbf1000 shop manual~~

~~cbse class 9 civics guide golden~~

~~cathleen ni houlihan author william butler yeats published on september 2010~~

~~cbse 10th class science lab manual 2012~~

~~cbip manual for transformer tank test~~

caterpillar th62 service manual

~~caught in the crossfire harlequin comics~~

caterpillar service manuals 323

~~eats coloring stress relieving designs~~

~~cb400 super four free owners manual~~

~~catholic university of america the campus history~~

catia v6 r2009 user guide

~~eb650 honda manual~~

~~caterpillar engine & crawler engine service manual ct s 5 34 d8~~

Canon Dm Mv4 Digital Video Camera Service Manual :

~~the little girl says alhamdulillah by rabia gelgi alibris - Aug 11 2022~~

~~web the little girl says alhamdulillah wolf season i remember allah i can pray anywhere how much does allah love me i say as~~

salamu alaykum the salams little mosque on

the little girl says alhamdulillah english editio pdf 198 58 106 - Mar 06 2022

web apr 2 2023 little girl says alhamdulillah english editio by online you might not require more grow old to spend to go to the books commencement as capably as search for

the little girl says alhamdulillah amazon com - Jul 22 2023

web jul 4 2016 the little girl says alhamdulillah english edition ebook gelgi rabia amazon de kindle store

the little girl says alhamdulillah english edition kindle edition - Mar 18 2023

web jul 12 2016 the little girl says alhamdulillah paperback july 12 2016 a little girl likes to play search she have a small kitty who follows her anywhere she goes she

the little girl says alhamdulillah paperback july 12 2016 - Jan 16 2023

web the little girl says alhamdulillah ebook gelgi rabia amazon com au kindle store

the little girl says alhamdulillah english editio copy uniport edu - Feb 05 2022

web alhamdulillah meaning the sentence is made up of three parts the word al means the hamdu is a word that means praise how to pronounce alhamdulillah howtopronounce com - Nov 02 2021

the little girl says alhamdulillah kindle edition amazon ca - Dec 15 2022

web she is a muslim girl who thinks that we have many things in our life to say alhamdulillah details e book the little girl says alhamdulillah author s rabia gelgi title the

the little girl says alhamdulillah english edition kindle edition - May 20 2023

web jul 14 2016 amazon co jp the little girl says alhamdulillah english edition ebook gelgi rabia kindle store

pdf epub the little girl says alhamdulillah rabia free - Oct 13 2022

web buy the little girl says alhamdulillah by rabia gelgi online at alibris we have new and used copies available in 1 editions starting at 7 08 shop now

the little girl says alhamdulillah kindle edition amazon co uk - Apr 19 2023

web rabia gelgi is the author of the little girl says alhamdulillah 4 51 avg rating 81 ratings 8 reviews say bismillah 4 49 avg rating 43 ratings 4 r

the little girl says alhamdulillah by rabia gelgi - Aug 23 2023

web jul 12 2016 the little girl says alhamdulillah by rabia gelgi jul 12 2016 createspace independent publishing platform createspace independent publishing platform edition

the little girl says alhamdulillah kindle edition amazon in - Sep 12 2022

web the little girl says alhamdulillah gelgi rabia amazon com tr Çerez tercihlerinizi seçin alışveriş deneyiminizi geliştirmek hizmetlerimizi sunmak müşterilerin hizmetlerimizi

the little girl says alhamdulillah gelgi rabia amazon com tr - Jul 10 2022

web the little girl says alhamdulillah english editio the little girl says alhamdulillah gelgi rabia keller on why jesus said the little girl was sleeping rabia gelgi

rabia gelgi author of the little girl says alhamdulillah - Feb 17 2023

web jul 14 2016 a little girl likes to play search she has a small kitty who follows her anywhere she goes she loves birds flowers moon sea and everything else she is a

the little girl says alhamdulillah english editio pdf - Apr 07 2022

web may 17 2023 their favorite books like this the little girl says alhamdulillah english editio but end up in infectious downloads rather than enjoying a good book with a cup of

the little girl says alhamdulillah english editio copy uniport edu - Jan 04 2022

web oct 21 2023 how to say alhamdulillah in english pronunciation of alhamdulillah with 47 audio pronunciations 1 meaning 1 translation 3 sentences and more for alhamdulillah

the little girl says alhamdulillah english editio - May 08 2022

web the little girl says alhamdulillah english editio 2 11 downloaded from 198 58 106 42 on december 25 2022 by guest the book series maymunah s musings on her many

the little girl says alhamdulillah kindle edition - Sep 24 2023

web jul 14 2016 4 51 81 ratings8 reviews a little girl likes to play search she has a small kitty who follows her anywhere she goes she loves birds flowers moon sea and everything

thelittlegirlsaysalhamdulillahenglisheditio download only - Jun 09 2022

web the little girl says alhamdulillah english editio amina s voice the little girl says alhamdulillah snow white alhamdulillah gratitude journal zaydo potato ilyas and

the little girl says alhamdulillah jul 12 2016 edition open - Jun 21 2023

web jul 14 2016 select the department you want to search in

[the little girl says alhamdulillah kindle edition amazon com au](#) - Nov 14 2022

web the little girl says alhamdulillah ebook gelgi rabia amazon in kindle store

when do we say alhamdulillah amazing surprise answer - Dec 03 2021

la rue cases nègres roman by joseph zobel survey thecube - Apr 22 2022

web la rue cases nègres roman by joseph zobel on distingue à présent de la base au sommet une série de transition sablo gréseuse reposant sur les carbonates marins du paléozoïque ensuite des niveaux continentaux argilo sableux du trias avec aussi des grès les grès à stégocéphales précédant d'épaisses formations d'évaporites la

[la rue cases nègres roman by joseph zobel survey thecube](#) - Mar 22 2022

web la rue cases nègres roman by joseph zobel the rue st honore in paris is one of the longest streets in the world it is the oxford street of the capital of france and has more shops and houses than even the boulevard at no great distance from the pala is royal

la rue cases na gres roman 2023 bespoke cityam com - Aug 27 2022

web la rue cases na gres roman la rue cases na gres roman 2 downloaded from bespoke cityam com on 2023 04 25 by guest le galop des ânes et avec des cris de joie entraînant toute la bande de mes petits camarades qui attendaient comme moi le retour de leurs parents m man tine savait qu'étant venu au devant d'elle je m'étais bien conduit

la rue cases nègres roman by joseph zobel desk cw no - May 04 2023

web la rue cases nègres roman by joseph zobel april 9th 2020 the rue st honore in paris is one of the longest streets in the world it is the oxford street of the capital of france and has more shops and houses than

la rue cases negres french edition amazon com - Mar 02 2023

web nov 1 2014 this item la rue cases negres french edition by joseph zobel mass market paperback 13 25 in stock ships from and sold by international book import service ibis l'enfant noir prix charles veillon 1954 texte integral french edition by camara laye pocket book 5 30 only 16 left in stock order soon

la rue cases nègres roman by joseph zobel survey thecube - Jun 24 2022

web ocasio palacios 32 les structures sociales mises en place par l'esclavage la rue cases n'â gres 1950 de joseph zobel est l'un e des meilleures reprê sentations fictives des sentiments des noirs envers la canne aprê s l'abolition geography a village of forestry and farming in the pays de caux some 20 miles 32 km east of le havre

[la rue cases na gres roman copy textra com](#) - Dec 31 2022

web la rue cases na gres roman 3 3 indeed of the americas in general much of its passion pertinence and appeal inheres in its approach to time and to space an approach still reverberating with the shock of displacement and its various after tremors an exploded sense of diversity radical relativization the profound expropriations of

[la rue cases na gres roman 2022 textra com](#) - Oct 29 2022

web enveloppé dans un feuille verte ou encore mieux que tout cela un morceau de pain ainsi commence la rue cases nègres ce grand classique de la littérature antillaise dans lequel joseph zobel né le 26 avril 1915 à rivière salée nous décrit la martinique des années 30 en peignant avec la

la rue cases nègres roman by joseph zobel - May 24 2022

web april 8th 2020 user talk edelseider from wikimedia mons the free media repository na es wäre doch schön wenn man sich la rue cases nègres roman by joseph zobel the weekly gazette barnesville ga 1868 186 december april 9th 2020 the rue st honore in paris is one of the longest streets in the world it is the oxford street of the

la rue cases nègres roman by joseph zobel liululu - Jul 26 2022

web la rue cases nègres roman by joseph zobel romaunt of the rose from the unique glasgow ms parallel with its original le roman de la rose see other formats la poudrière ouvrage construit en 1806 pouvait contenir 300 barils de poudre des pierres de cette poudrière ont été employées pour ériger le mur situé sur la propriété de l hôtel

la rue cases na gres roman download only - Aug 07 2023

web whispering the strategies of language an mental journey through la rue cases na gres roman in a digitally driven world where screens reign supreme and instant transmission drowns out the subtleties of language the profound strategies and emotional subtleties hidden within phrases often go

la rue cases nègres roman joseph zobel google books - Jun 05 2023

web ainsi commence la rue cases nègres ce grand classique de la littérature antillaise dans lequel joseph zobel né le 26 avril 1915 à rivièrè salée nous décrit la martinique des années 30 en peignant avec la mémoire du coeur et des blessures la vaillance la dureté et la tendresse des descendants d esclaves acharnés à bâtir pour

la rue cases nègres roman zobel joseph archive org - Oct 09 2023

web la rue cases nègres roman by zobel joseph publication date 1984 topics blacks martinique fiction publisher paris présence africaine collection inlibrary printdisabled internetarchivebooks contributor internet archive language french 311 p 18 cm access restricted item true

la rue cases nègres wikipédia - Sep 08 2023

web modifier la rue cases nègres est un roman autobiographique de joseph zobel dont l action se déroule en martinique dans les années 1930 paru en 1950 ce roman raconte le quotidien d un enfant noir qui découvre l école et de

la rue cases nègres by joseph zobel goodreads - Jul 06 2023

web la rue cases negres par joseph zobel nous dit l histoire d un petit garçon qui habite avec sa grand mere et son enfance a la martinique j ai etudie ce roman dans ma premiere trimestre au lycee pour ma classe de la litterature francaise

la rue cases na gres roman copy textra com - Apr 03 2023

web la rue cases na gres roman downloaded from textra com tw by guest amina burch fictions of childhood abc clio organized by region boasting an international roster of contributors and including summaries of selected creative and critical works and a guide to selected terms and figures salhi s

la rue cases na gres roman pdf data northitalia - Nov 29 2022

web la rue cases na gres roman the complete index to literary sources in film the post colonial condition of african literature black shack alley daughters of the diaspora the black jacobins encyclopedia of the african diaspora cinema and the second sex l ecrivain caribéen guerrier de l imaginaire enfance unravelled dreams where the boys are

la rue cases na gres roman pdf pdf sralergeno pybossa - Sep 27 2022

web title la rue cases na gres roman pdf pdf sralergeno pybossa com created date 9 30 2023 5 12 09 am

la rue cases na gres roman pqr uiaf gov co - Feb 18 2022

web insight of this la rue cases na gres roman can be taken as with ease as picked to act l ecrivain caribéen guerrier de l imaginaire kathleen gysels 2008 01 this bi lingual collection illustrates the concept of warrior of the imaginary as defined by patrick chamoiseau in a multi faceted corpus of texts by and on caribbean writers

la rue cases negres ppt slideshare - Feb 01 2023

web oct 31 2009 la rue cases negres oct 31 2009 4 likes 6 582 views download now download to read offline business comparative analysis in french of the the book la rue cases negres and the film of the same name k

table of contents section 4 denver water - Jul 05 2022

see section 5 0 example sheets for a representation of each of the following lists general startup checklist start or create drawings using the sheet set manager o see section 7 0 sheet set manager fill out drawing properties as built plans only o see section 15 0 dw s tool palettes set coordinate system

thousands rally for palestinian cause in new york city reuters - Oct 28 2021

oct 13 2023 u s law enforcement agencies stepped up security measures on friday to safeguard jewish and muslim communities amid global protests over israeli arab bloodshed in the middle east as thousands of

engineering drawings review checklist example pdf pdf - Sep 26 2021

engineering checks e1 make sure that all required information is available e1 1 mechanical e1 2 electrical e1 3 environmental e1 4 pdfcoffee com engineering drawings review checklist example pdf free 1 suphamas koolnarat engineering drawings review checklist example2 pdf

mechanical engineering drawing services required when - Nov 28 2021

jul 6 2016 mechanical engineering drawings provide information on heating air conditioning and ventilation for construction projects without mechanical engineering drawing services architects could end up with a beautifully designed building that lacks proper ventilation and uneven heating and cooling of certain areas within having proper ventilation will help in the

iso drawing checklist mechanical engineering - Dec 30 2021

webjul 28 2023 iso drawing checklist mechanical engineering 2 8 downloaded from uniport edu ng on july 28 2023 by guest

contains unique knowledge case studies ideas and insights a must have for researchers and engineers working in the areas of mining technologies and fuel sciences

drawing checking guidelines engineering process guide - Jan 11 2023

apr 19 2016 checklist for drawing checking check title block drawing number title revision and revision description category code tolerances including angle and surface finish scale material read notes check spelling check to

engineering drawing practices american society of mechanical engineers - May 15 2023

engineering drawing practices engineering drawing and related documentation practices an american national standard asme y14 100 2013 revision of asme y14 100 2004 r2009 and consolidation of asme y14 42 2002 r2008

free design review checklists smartsheet - Oct 08 2022

may 8 2020 design milestone breakout checklist engineering design review checklist system design review checklist software design review checklist electrical design review checklist architectural design review checklist build powerful automated approval processes and workflows with smartsheet

drawing checklist it is for the technical drawing lessons - May 03 2022

it is for the technical drawing lessons drawing checklist use this to ensure completeness of your drawings remember that your drawing should be easy to engineering mechanics r c hibbeler principles of marketing philip kotler gary armstrong valerie trifts peggy h cunningham

how to read an engineering drawing a simple guide make uk - Feb 12 2023

engineering drawings aka blueprints prints drawings mechanical drawings are a rich and specific outline that shows all the information and requirements needed to manufacture an item or product it is more than simply a drawing it is a graphical language that communicates ideas and information why not just use a 3d model

checklist for mechanical engineering drawing - Mar 01 2022

engineering mechanical option units engineering drawing and design david a madsen 2016 02 01 for more than 25 years students have relied on this trusted text for easy to read comprehensive drafting and design instruction that complies with the latest ansi and asme industry standards for mechanical drafting the sixth edition of engineering

engineering drawing standards manual nasa - Apr 14 2023

the gsfc engineering drawing standards manual is the official source for the requirements and interpretations to be used in the development and presentation of engineering drawings and related documentation for the gsfc the mechanical engineering branch mechanical systems division has been delegated

how to check engineering drawings 8 things to know - Aug 18 2023

nov 10 2020 how to check engineering drawings it s all about doing detailed self reviews getting third party feedback and

building good review habits i ll share with you my 8 go to techniques for reviewing engineering drawings

engineering drawings review checklist example pdf engineering - Nov 09 2022

engineering checks e1 make sure that all required information is available e1 1 mechanical e1 2 electrical e1 3

environmental e1 4 materials finish relevant standards e1 5 other e2 check the design for interference issues check the design for components assembly and e3 disassembly functionality

free engineering checklist templates pdf safetyculture - Jun 04 2022

jul 20 2023 start using template eliminate paperwork with digital checklists generate reports from completed checklists free to use for up to 10 users an engineering audit checklist can be used by project managers to ensure that the design department is adhering to their procedures

building drawings checklist mechanical drawings for housing - Dec 10 2022

abstract this drawing checklist is the third in the series complementing those for architectural and structural drawings it is designed to provide mechanical engineers with a convenient tool for the final review of drawings prepared under their supervision

engineering working drawings basics nasa - Mar 13 2023

engineering working drawing basics is a pdf document that introduces the fundamental principles and practices of engineering drawing it covers topics such as types of drawings symbols dimensions tolerances and views it is a useful resource for students and engineers who want to learn or review the basics of engineering drawing

iso 01 100 20 mechanical engineering drawings - Aug 06 2022

technical drawings geometrical tolerancing tolerancing of form orientation location and run out generalities definitions symbols indications on drawings extract 1 toleranced characteristics and symbols examples of indication and interpretation

iso drawing checklist mechanical engineering 2022 - Jan 31 2022

rules of thumb for mechanical engineers technical drawing for engineering communication fundamentals of technical graphics engineering aid 3 project management process the essential guide to technical product specification machinery s handbook chilton s iron age sheet metal forming processes and die design basic engineering for builders iso

checker checklist drafting standards gd t eng tips - Apr 02 2022

jun 13 2006 madmango mechanical 12 apr 06 15 56 we have a checker they check for drafting standards line type fonts etc mrp bom and solid models match each other but not for completeness correctness the host of other requirements fall upon the me designers and project manager overall design

drawing standards roy mech - Sep 07 2022

approved process mechanical data sheets reports minutes of relevant design review meetings company drawing standards

relevant standards e.g. BS 8888 referenced standards company material equipment standards relevant standards directives etc e.g. machinery directive

engineering drawing self checks all our tips tricks - Jul 17 2023

the typical self check tools and processes for engineering drawings are as follows on screen check a lightweight review to identify obvious issues or deficiencies 2d drawing checklist a general list of features which must be on a drawing pdf output check printing check adobe dc check on screen check

engineering drawing 8 tips to improve engineering - Jun 16 2023

Nov 26 2021 an engineering drawing also named as mechanical drawing manufacturing blueprints drawings dimensional prints and more refers to one of the technical drawings which helps to define engineering products requirements basically this type of drawing aims at clearly capturing all the geometric features of products and their components

design handbook engineering drawing and sketching - Sep 19 2023

to prepare a drawing one can use manual drafting instruments figure 12 or computer aided drafting or design or cad the basic drawing standards and conventions are the same regardless of what design tool you use to make the drawings in learning drafting we will approach it from the perspective of manual drafting