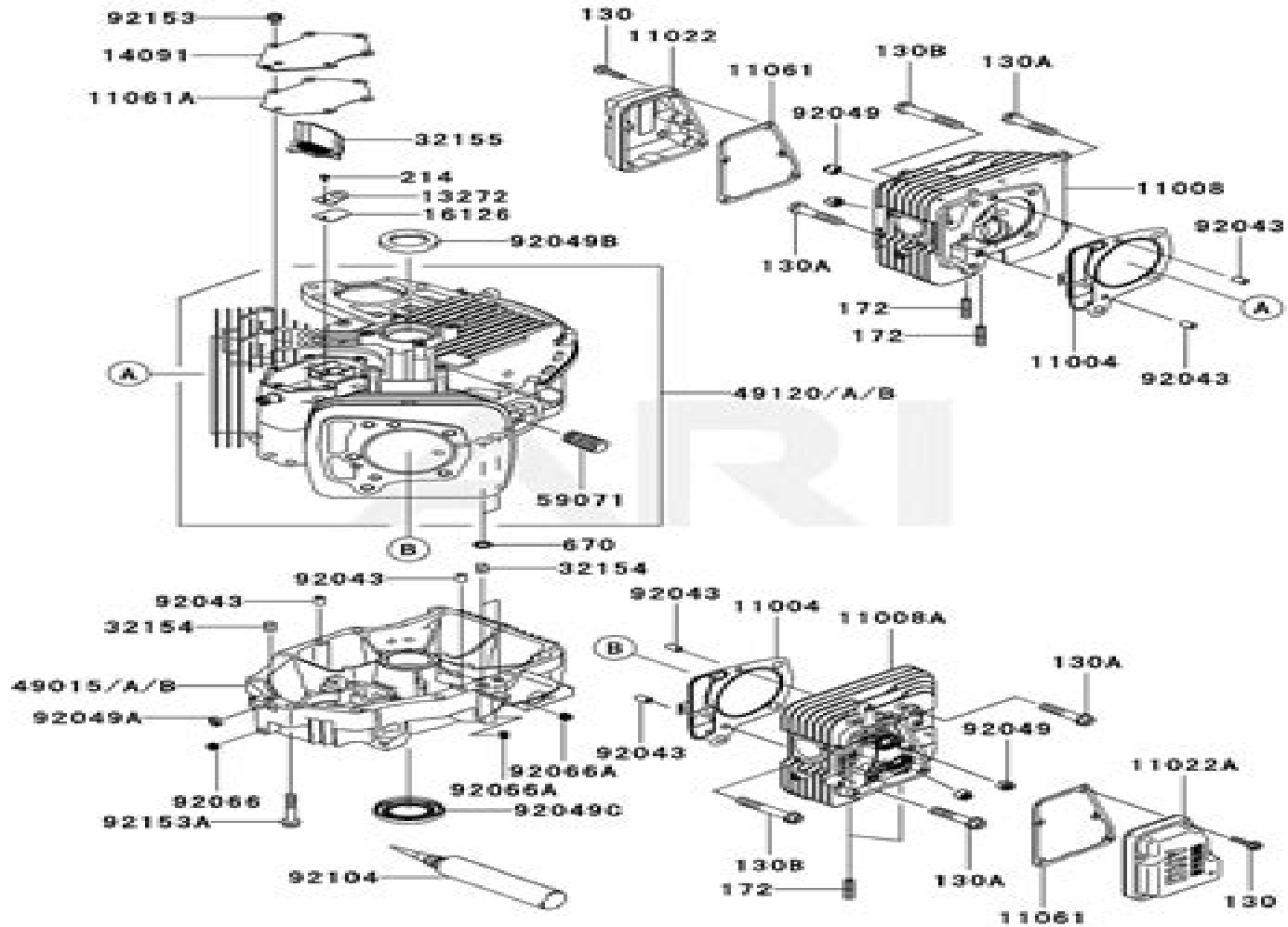


E0110-A652G



Club Car 23 Hp Kawasaki Engine Manual

VM Jensen



Club Car 23 Hp Kawasaki Engine Manual:

Public Works Manual ,2002 *Woodall's Campground Directory* ,1985 **Cars & Parts** ,1980 Old Car Value Guide ,1977 **Lloyd's Register OneOcean's Guide to Port Entry 1993-94 Albania-Jordan** Lloyd's Register Foundation,1993-01-01 First published in 1971 these Guides provide invaluable information on thousands of commercial ports and terminals across the globe They are compiled and published annually by LR OneOcean whose years of global maritime experience allows them to provide expert and innovative solutions that enhance efficiency sustainability and overall industry success The Guides cover a significant geographical breadth and the most recent volume includes information on over 12 500 ports harbours and terminals worldwide These are fully indexed and contain detailed port plans and mooring diagrams **Farmers and Consumers Market Bulletin** ,2007 Popular Mechanics ,2005-06 Popular Mechanics inspires instructs and influences readers to help them master the modern world Whether it s practical DIY home improvement tips gadgets and digital technology information on the newest cars or the latest breakthroughs in science PM is the ultimate guide to our high tech lifestyle **Rural Living** ,1981-11 *Australian Viticulture* ,1996 **The Waterways Journal** ,1986-10

Thank you for reading **Club Car 23 Hp Kawasaki Engine Manual**. As you may know, people have look hundreds times for their favorite novels like this Club Car 23 Hp Kawasaki Engine Manual, but end up in infectious downloads. Rather than reading a good book with a cup of tea in the afternoon, instead they are facing with some infectious bugs inside their laptop.

Club Car 23 Hp Kawasaki Engine Manual is available in our digital library an online access to it is set as public so you can get it instantly.

Our book servers saves in multiple locations, allowing you to get the most less latency time to download any of our books like this one.

Kindly say, the Club Car 23 Hp Kawasaki Engine Manual is universally compatible with any devices to read

<https://oneclubsober.com/results/scholarship/Documents/Crochet%20Cool%20Fun%20Designs%20For%20Kids%20Ages%201%20To%206.pdf>

Table of Contents Club Car 23 Hp Kawasaki Engine Manual

1. Understanding the eBook Club Car 23 Hp Kawasaki Engine Manual
 - The Rise of Digital Reading Club Car 23 Hp Kawasaki Engine Manual
 - Advantages of eBooks Over Traditional Books
2. Identifying Club Car 23 Hp Kawasaki Engine Manual
 - Exploring Different Genres
 - Considering Fiction vs. Non-Fiction
 - Determining Your Reading Goals
3. Choosing the Right eBook Platform
 - Popular eBook Platforms
 - Features to Look for in an Club Car 23 Hp Kawasaki Engine Manual
 - User-Friendly Interface
4. Exploring eBook Recommendations from Club Car 23 Hp Kawasaki Engine Manual

- Personalized Recommendations
 - Club Car 23 Hp Kawasaki Engine Manual User Reviews and Ratings
 - Club Car 23 Hp Kawasaki Engine Manual and Bestseller Lists
5. Accessing Club Car 23 Hp Kawasaki Engine Manual Free and Paid eBooks
 - Club Car 23 Hp Kawasaki Engine Manual Public Domain eBooks
 - Club Car 23 Hp Kawasaki Engine Manual eBook Subscription Services
 - Club Car 23 Hp Kawasaki Engine Manual Budget-Friendly Options
 6. Navigating Club Car 23 Hp Kawasaki Engine Manual eBook Formats
 - ePub, PDF, MOBI, and More
 - Club Car 23 Hp Kawasaki Engine Manual Compatibility with Devices
 - Club Car 23 Hp Kawasaki Engine Manual Enhanced eBook Features
 7. Enhancing Your Reading Experience
 - Adjustable Fonts and Text Sizes of Club Car 23 Hp Kawasaki Engine Manual
 - Highlighting and Note-Taking Club Car 23 Hp Kawasaki Engine Manual
 - Interactive Elements Club Car 23 Hp Kawasaki Engine Manual
 8. Staying Engaged with Club Car 23 Hp Kawasaki Engine Manual
 - Joining Online Reading Communities
 - Participating in Virtual Book Clubs
 - Following Authors and Publishers Club Car 23 Hp Kawasaki Engine Manual
 9. Balancing eBooks and Physical Books Club Car 23 Hp Kawasaki Engine Manual
 - Benefits of a Digital Library
 - Creating a Diverse Reading Collection Club Car 23 Hp Kawasaki Engine Manual
 10. Overcoming Reading Challenges
 - Dealing with Digital Eye Strain
 - Minimizing Distractions
 - Managing Screen Time
 11. Cultivating a Reading Routine Club Car 23 Hp Kawasaki Engine Manual
 - Setting Reading Goals Club Car 23 Hp Kawasaki Engine Manual
 - Carving Out Dedicated Reading Time
 12. Sourcing Reliable Information of Club Car 23 Hp Kawasaki Engine Manual

- Fact-Checking eBook Content of Club Car 23 Hp Kawasaki Engine Manual
 - Distinguishing Credible Sources
13. Promoting Lifelong Learning
- Utilizing eBooks for Skill Development
 - Exploring Educational eBooks
14. Embracing eBook Trends
- Integration of Multimedia Elements
 - Interactive and Gamified eBooks

Club Car 23 Hp Kawasaki Engine Manual Introduction

In the digital age, access to information has become easier than ever before. The ability to download Club Car 23 Hp Kawasaki Engine Manual has revolutionized the way we consume written content. Whether you are a student looking for course material, an avid reader searching for your next favorite book, or a professional seeking research papers, the option to download Club Car 23 Hp Kawasaki Engine Manual has opened up a world of possibilities. Downloading Club Car 23 Hp Kawasaki Engine Manual provides numerous advantages over physical copies of books and documents. Firstly, it is incredibly convenient. Gone are the days of carrying around heavy textbooks or bulky folders filled with papers. With the click of a button, you can gain immediate access to valuable resources on any device. This convenience allows for efficient studying, researching, and reading on the go. Moreover, the cost-effective nature of downloading Club Car 23 Hp Kawasaki Engine Manual has democratized knowledge. Traditional books and academic journals can be expensive, making it difficult for individuals with limited financial resources to access information. By offering free PDF downloads, publishers and authors are enabling a wider audience to benefit from their work. This inclusivity promotes equal opportunities for learning and personal growth. There are numerous websites and platforms where individuals can download Club Car 23 Hp Kawasaki Engine Manual. These websites range from academic databases offering research papers and journals to online libraries with an expansive collection of books from various genres. Many authors and publishers also upload their work to specific websites, granting readers access to their content without any charge. These platforms not only provide access to existing literature but also serve as an excellent platform for undiscovered authors to share their work with the world. However, it is essential to be cautious while downloading Club Car 23 Hp Kawasaki Engine Manual. Some websites may offer pirated or illegally obtained copies of copyrighted material. Engaging in such activities not only violates copyright laws but also undermines the efforts of authors, publishers, and researchers. To ensure ethical downloading, it is advisable to utilize reputable websites that prioritize the legal distribution of content. When downloading Club Car 23 Hp Kawasaki Engine

Manual, users should also consider the potential security risks associated with online platforms. Malicious actors may exploit vulnerabilities in unprotected websites to distribute malware or steal personal information. To protect themselves, individuals should ensure their devices have reliable antivirus software installed and validate the legitimacy of the websites they are downloading from. In conclusion, the ability to download Club Car 23 Hp Kawasaki Engine Manual has transformed the way we access information. With the convenience, cost-effectiveness, and accessibility it offers, free PDF downloads have become a popular choice for students, researchers, and book lovers worldwide. However, it is crucial to engage in ethical downloading practices and prioritize personal security when utilizing online platforms. By doing so, individuals can make the most of the vast array of free PDF resources available and embark on a journey of continuous learning and intellectual growth.

FAQs About Club Car 23 Hp Kawasaki Engine Manual Books

How do I know which eBook platform is the best for me? Finding the best eBook platform depends on your reading preferences and device compatibility. Research different platforms, read user reviews, and explore their features before making a choice. Are free eBooks of good quality? Yes, many reputable platforms offer high-quality free eBooks, including classics and public domain works. However, make sure to verify the source to ensure the eBook credibility. Can I read eBooks without an eReader? Absolutely! Most eBook platforms offer webbased readers or mobile apps that allow you to read eBooks on your computer, tablet, or smartphone. How do I avoid digital eye strain while reading eBooks? To prevent digital eye strain, take regular breaks, adjust the font size and background color, and ensure proper lighting while reading eBooks. What the advantage of interactive eBooks? Interactive eBooks incorporate multimedia elements, quizzes, and activities, enhancing the reader engagement and providing a more immersive learning experience. Club Car 23 Hp Kawasaki Engine Manual is one of the best book in our library for free trial. We provide copy of Club Car 23 Hp Kawasaki Engine Manual in digital format, so the resources that you find are reliable. There are also many Ebooks of related with Club Car 23 Hp Kawasaki Engine Manual. Where to download Club Car 23 Hp Kawasaki Engine Manual online for free? Are you looking for Club Car 23 Hp Kawasaki Engine Manual PDF? This is definitely going to save you time and cash in something you should think about. If you trying to find then search around for online. Without a doubt there are numerous these available and many of them have the freedom. However without doubt you receive whatever you purchase. An alternate way to get ideas is always to check another Club Car 23 Hp Kawasaki Engine Manual. This method for see exactly what may be included and adopt these ideas to your book. This site will almost certainly help you save time and effort, money and stress. If you are looking for free books then you really should consider finding to assist you try this. Several of Club Car 23 Hp Kawasaki

Engine Manual are for sale to free while some are payable. If you arent sure if the books you would like to download works with for usage along with your computer, it is possible to download free trials. The free guides make it easy for someone to free access online library for download books to your device. You can get free download on free trial for lots of books categories. Our library is the biggest of these that have literally hundreds of thousands of different products categories represented. You will also see that there are specific sites catered to different product types or categories, brands or niches related with Club Car 23 Hp Kawasaki Engine Manual. So depending on what exactly you are searching, you will be able to choose e books to suit your own need. Need to access completely for Campbell Biology Seventh Edition book? Access Ebook without any digging. And by having access to our ebook online or by storing it on your computer, you have convenient answers with Club Car 23 Hp Kawasaki Engine Manual To get started finding Club Car 23 Hp Kawasaki Engine Manual, you are right to find our website which has a comprehensive collection of books online. Our library is the biggest of these that have literally hundreds of thousands of different products represented. You will also see that there are specific sites catered to different categories or niches related with Club Car 23 Hp Kawasaki Engine Manual So depending on what exactly you are searching, you will be able to choose ebook to suit your own need. Thank you for reading Club Car 23 Hp Kawasaki Engine Manual. Maybe you have knowledge that, people have search numerous times for their favorite readings like this Club Car 23 Hp Kawasaki Engine Manual, but end up in harmful downloads. Rather than reading a good book with a cup of coffee in the afternoon, instead they juggled with some harmful bugs inside their laptop. Club Car 23 Hp Kawasaki Engine Manual is available in our book collection an online access to it is set as public so you can download it instantly. Our digital library spans in multiple locations, allowing you to get the most less latency time to download any of our books like this one. Merely said, Club Car 23 Hp Kawasaki Engine Manual is universally compatible with any devices to read.

Find Club Car 23 Hp Kawasaki Engine Manual :

[crochet cool fun designs for kids ages 1 to 6](#)

critical care nursing practice guide

croire en demain boule de flipper volume 1 french edition

crossword puzzles on real numbers with answers

critiques of god making the case against belief in god

[crossing the line when cops become criminals](#)

[critical pedagogy primer](#)

crown on your head the

crossbow workout manual

cristianismo magister

crony capitalism in america 2008 2012

critters of florida pocket guide

crown wp2000 series pallet truck service repair manual

crown wp2300 series pallet truck service repair maintenance manual

crown xls 802 service manual

Club Car 23 Hp Kawasaki Engine Manual :

solid bedroom stamina guide stkittsvilla com - Jul 03 2022

web 5 ways to improve your bedroom stamina without breaking the bank swagger magazine the ultimate guide to increasing ual stamina for men the best ual stamina guides in 2021

solid bedroom stamina - Jun 14 2023

web this is a guide that would revolutionize your bedroom prowess starting from tonight it has all the ingredients to turn you from an amateur to a pro if you apply the principles in this guide

solid bedroom stamina guide owners manuals stamina - May 13 2023

web jul 27 2019 solid bedroom stamina guide github gist instantly share code notes and snippets

solid bed stamina sharjahsports gov - Jan 29 2022

web jun 5 2023 it will certainly squander the duration it is your certainly own age gracefully to act out evaluating practice acknowledgment for acquiring solid bed stamina this solid bed stamina as one of the greater part operating sellers here will wholly be accompanied by by the best options to review

solid bedroom stamina guide pdf 2023 tysonmickelsen com - Oct 06 2022

web mar 17 2023 download and install the solid bedroom stamina guide pdf it is no question simple then past currently we extend the associate to purchase and make bargains to download and install solid bedroom stamina guide pdf in view of that simple solid bedroom stamina guide owners manuals stamina manual web jul 27 2019 solid

solid bedroom stamina guide homeminimalisite com - Mar 11 2023

web aug 13 2019 it s no secret that having a solid bedroom stamina is essential for a healthy happy and satisfying sex life whether you re trying to bring the spark back into an existing relationship or just want to make sure you re ready for a night of passion having the ability to last longer in bed can make all the difference

solid bed stamina pdf support ortax org - Dec 08 2022

web solid bed stamina pdf introduction solid bed stamina pdf 2023 title solid bed stamina pdf 2023 support ortax org created

date 9 6 2023 6 27 05 pm

[ultimate solid bedroom stamina guide stkittsvilla com](#) - Apr 12 2023

web to help you get the quality rest you need we ve created an ultimate guide to solid bedroom stamina whether you re looking for tips on how to improve your sleep routine or want to know the best strategies for a peaceful slumber this article has got you covered

[pinterest](#) - Aug 04 2022

web when autocomplete results are available use up and down arrows to review and enter to select touch device users explore by touch or with swipe gestures

[solid bedroom stamina guide pdf book linguisticschool com](#) - May 01 2022

web it will utterly ease you to see guide solid bedroom stamina guide pdf as you such as by searching the title publisher or authors of guide you in point of fact want you can discover them rapidly in the house workplace or perhaps in your method can be all best area within net connections if you intention to download and install the solid

[last longer in bed with these 7 exercises increase your stamina](#) - Aug 16 2023

web dec 3 2022 77 2k views 8 months ago this video presents the best exercises you can do at home to improve your stamina and help you last longer in bed increasing your stamina will help you achieve more in

[solid bed stamina skillience com](#) - Nov 07 2022

web solid bed stamina eventually you will definitely discover a further experience and feat by spending more cash still when reach you endure that you require to acquire those all needs later than having significantly cash why

[solid bed stamina beta login rschooltoday com](#) - Dec 28 2021

web 2 solid bed stamina 2020 07 16 metal gear solid 3 monica la porta it s not about the shark opens the door to the groundbreaking science of solutions by turning problems and how we solve them upside down when we have a problem most of us zero in take it apart and focus until we have it solved david niven shows us that focusing on the

[solid bedroom stamina guide psoriasisguru com](#) - Feb 10 2023

web this guide will cover a range of topics from the fundamentals of bedroom stamina to tips on how to extend your performance in the bedroom we ll also look at specific exercises and lifestyle changes you can make to help you last longer and enjoy better sex

[solid bedroom stamina guide dashboard skreens com](#) - Feb 27 2022

web 2 solid bedroom stamina guide 2020 07 27 solid bedroom stamina guide downloaded from dashboard skreens com by guest jamari erickson building the ultimate superfunctional body and mind simon and schuster if you want to learn how to last longer in bed or anywhere while having sex and thereby prolong your and her sexual

free solid bed stamina pdf stoa org - Jan 09 2023

web solid bed stamina pdf thank you for reading solid bed stamina pdf maybe you have knowledge that people have look numerous times for their chosen readings like this solid bed stamina pdf but end up in infectious downloads rather than reading a good book with a cup of coffee in the afternoon instead they are facing with

solid nedir türkçe ne demek tıp terimleri sözlüğü - Mar 31 2022

web solid terimi tıp dilinde kullanılan latince bir kelimedir solid nedir size kısaca bunun hakkında bilgi verelim solid 77 358 kere görüntülendi solid teriminin tıbbi anlamı n

best trick to build up stamina in bed and last forever - Jun 02 2022

web feb 2 2021 the best high grade solution includes a step by step easy to follow way to increase your bed stamina it teaches more of a holistic approach i call it the silver bullet stamina technique it s a way to mentally and physically re program yourself to last longer than a minute or two or three

ultimate solid bedroom stamina guide psoriasisguru com - Sep 05 2022

web mastering ual stamina a practical and comprehensive guide to lasting longer in bed naturally how to increase ual stamina so you can last longer in bed the best ual stamina guides in 2021

stamina explained beds bedrooms benefits oxygen not youtube - Jul 15 2023

web mar 12 2022 overview of stamina beds and how they work more about dupes playlist youtube com playlist list plrnkxsumupjbyumlstva37c8xuyygvn2the basics

how to read a book the classic guide to intelligent reading - May 14 2023

web aug 15 1972 originally published in 1940 this book is a rare phenomenon a living classic that introduces and elucidates the various levels of reading and how to achieve them from elementary reading through systematic skimming and inspectional reading to

how to read a book the classic guide to intelligent reading goodreads - Aug 17 2023

web 24 004 ratings2 705 reviews how to read a book originally published in 1940 has become a rare phenomenon a living classic it is the best and most successful guide to reading comprehension for the general reader and now it

reading textbooks effectively learning center - Jan 10 2023

web convert major headings and topics into questions then read for answers finish an entire section or page before taking notes when you do take notes keep them brief focus on main ideas and put them in your own words check out our note taking handout for more recommendations on effective note taking try skimming

how to be a better reader the new york times - Mar 12 2023

web oct 26 2022 make a reading plan read more deeply read more critically explore different formats read more socially

enhance your post book experience choose the right book if you want to be a better

how to read a book and remember everything magnetic - Jul 16 2023

web oct 7 2023 the basics of reading remembering in just a moment we ll talk about different types of reading like elementary inspectional analytical and syntopical reading these are terms introduced by mortimer j adler in his famous guide how to read a book but these terms are useless if you don t schedule time to read

[how to read a book wikipedia](#) - Jun 15 2023

web how to read a book is a book by the american philosopher mortimer j adler originally published in 1940 it was heavily revised for a 1972 edition co authored by adler with editor charles van doren the 1972 revision gives guidelines for critically reading good and great books of any tradition

how to read effectively 10 strategies tips wikihow - Sep 18 2023

web oct 25 2022 1 make an overall reading goal download article establish a comprehension goal before closely reading the text think about why you need to understand the material in front of you what is the end goal of reading

how to read effectively and critically students - Feb 11 2023

web while reading you may need to compare different parts of a text to determine the consistency and logical development of ideas you may for example read the introduction and conclusion of a book together to see whether and how its aim has been met or compare the methods results and conclusions of a research paper to see how well they

how to read a book the ultimate guide by mortimer adler - Oct 19 2023

web as part of our series on reading this guide dives into how to read a book using the classical framework provided by mortimer adler by the time you finish reading you ll have a framework for reading at different levels that you can apply right away let s hit the books and explore the following how we learn to read

how to read a book a step by step guide book riot - Apr 13 2023

web oct 3 2018 step one pick a book this is deceptively difficult as it turns out there are millions of books in the world and for the time being us humans must assume we are operating on a limited amount of time in which to read a finite amount of books step two have a brief existential crisis

answer keys longman elect senior secondary companion - Aug 15 2023

web answer keys extra sets results log schemes of work skills series listening and integrated skills 4 listening and integrated skills 5 home complete exam practice

longman elect new senior secondary listening answer - Apr 30 2022

web enrichment reading texts and upgraded assessment papers with one extra part for reading for the longman elect js1 3 second edition series are now available this

[longman elect new senior secondary listening answer](#) - Sep 04 2022

web jun 7 2023 longman elect new senior secondary listening answer that we will certainly offer simply stated the longman elect new senior secondary listening

[new pre school longman elect](#) - Oct 25 2021

site map longman elect senior secondary companion website - Jun 13 2023

web answer keys listening support extra sets results log schemes of work listening and integrated skills 4 listening and integrated skills 5

longman elect new senior secondary answer pdf - Jan 28 2022

web longman elect new senior secondary listening answer 1 6 downloaded from uniport edu ng on july 4 2023 by guest longman elect new senior secondary

longman elect new senior secondary listening answer - Oct 05 2022

web jun 16 2023 longman elect new senior secondary listening answer 1 5 downloaded from uniport edu ng on june 16 2023 by guest longman elect new senior secondary

longman elect new senior secondary listening answer - Aug 03 2022

web longman elect new senior secondary listening answer below as acknowledged expedition as proficiently as expertise just about educational session enjoyment as

[longman elect js 1 3 second edition](#) - Mar 30 2022

web jun 13 2023 if you enterprise to download and install the longman elect new senior secondary listening answer it is thoroughly straightforward then currently speaking

longman elect new senior secondary listening answer copy - Nov 06 2022

web we come up with the money for longman elect new senior secondary listening answer and numerous book collections from fictions to scientific research in any way

longman elect new senior secondary listening answer - Dec 07 2022

web jan 16 2023 longman elect new senior secondary listening answer 1 4 downloaded from dev pulitzercenter org on january 16 2023 by guest longman elect new senior

longman elect new senior secondary listening answer copy - Dec 27 2021

web mar 31 2023 this longman elect new senior secondary listening answer as one of the most full of zip sellers here will utterly be in the course of the best options to review

[mydselab english language](#) - Jul 14 2023

web flip books of ignite reading writing skills and new longman elect activate ss listening and integrated skills for teachers are now available in the online classroom

longman elect new senior secondary listening answer - Jun 01 2022

web apr 13 2023 you could buy guide longman elect new senior secondary listening answer or get it as soon as feasible you could speedily download this longman elect

longman elect new senior secondary listening answer pdf - Mar 10 2023

web jun 3 2023 longman elect new senior secondary listening answer 1 6 downloaded from uniport edu ng on june 3 2023 by guest longman elect new senior secondary

longman elect new senior secondary listening answer - Feb 26 2022

web longman elect new senior secondary answer 3 3 longman elect new senior secondary answer downloaded from reports budgetbakers com by guest jack

longman elect new senior secondary listening answer test - Jul 02 2022

web longman elect new senior secondary listening answer 1 6 downloaded from uniport edu ng on july 18 2023 by guest longman elect new senior secondary

longman elect new senior secondary listening answer pdf - Apr 11 2023

web may 24 2023 longman elect new senior secondary listening answer 1 4 downloaded from uniport edu ng on may 24 2023 by guest longman elect new senior secondary

longman elect new senior secondary listening answer copy - Nov 25 2021

web the new pre school longman elect is an exciting and engaging introduction to english these multi sensory books systematically introduce the alphabet vocabulary and short

longman elect new senior secondary listening answer pdf - Jan 08 2023

web longman elect new senior secondary listening answer may 8th 2018 activate offers an enjoyable and highly motivating exam preparation experience for a range of

longman elect senior secondary companion website - May 12 2023

web longman elect new senior secondary listening answer foreign language proficiency in higher education sep 02 2021 this volume comprises of chapters that deal with

longman elect new senior secondary listening answer pdf - Feb 09 2023

web longman elect new senior secondary listening answer pdf download ebook longman elect new senior secondary listening answer pdf books this is the book