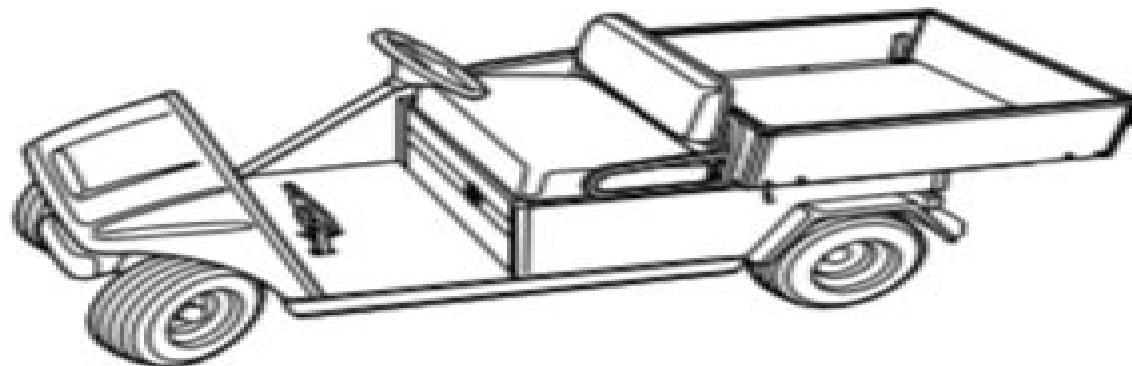


**Club Car**

## **Turf/Carryall Vehicle Owner's Manual**

**Electric and Gasoline Turf 1/Carryall 1, Turf 2/  
Carryall 2, Carryall 2 Plus and Turf 6/Carryall 6**

[Refer to back cover for applicable build code range]



# Club Car Carryall 2 Manual

**Albert A Gayle**



**Club Car Carryall 2 Manual:**

*New Jersey Register* ,2009     The Hollander Manual ,1960     Mobile Home Manual Trail-R-Club of America,1954

**Boys' Life** ,1973-08 Boys Life is the official youth magazine for the Boy Scouts of America Published since 1911 it contains a proven mix of news nature sports history fiction science comics and Scouting     **Retailers Manual of Laws and Regulations** ,1963     Popular Photography ,1995-03     *Cars & Parts* ,1997     Nursery Manager ,1989-07     **Farmers' Review** ,1890     **Maine Register Or State Year-book and Legislative Manual from April 1 ... to April 1 ...** ,1941

This is likewise one of the factors by obtaining the soft documents of this **Club Car Carryall 2 Manual** by online. You might not require more get older to spend to go to the book inauguration as well as search for them. In some cases, you likewise do not discover the message Club Car Carryall 2 Manual that you are looking for. It will no question squander the time.

However below, bearing in mind you visit this web page, it will be hence totally easy to acquire as capably as download lead Club Car Carryall 2 Manual

It will not admit many grow old as we notify before. You can do it even though behave something else at house and even in your workplace. therefore easy! So, are you question? Just exercise just what we present below as well as evaluation **Club Car Carryall 2 Manual** what you in imitation of to read!

[https://oneclubsober.com/results/virtual-library/Documents/de\\_wijde\\_wijde\\_wereld\\_eerste\\_en\\_tweede\\_deel.pdf](https://oneclubsober.com/results/virtual-library/Documents/de_wijde_wijde_wereld_eerste_en_tweede_deel.pdf)

## **Table of Contents Club Car Carryall 2 Manual**

1. Understanding the eBook Club Car Carryall 2 Manual
  - The Rise of Digital Reading Club Car Carryall 2 Manual
  - Advantages of eBooks Over Traditional Books
2. Identifying Club Car Carryall 2 Manual
  - Exploring Different Genres
  - Considering Fiction vs. Non-Fiction
  - Determining Your Reading Goals
3. Choosing the Right eBook Platform
  - Popular eBook Platforms
  - Features to Look for in an Club Car Carryall 2 Manual
  - User-Friendly Interface
4. Exploring eBook Recommendations from Club Car Carryall 2 Manual
  - Personalized Recommendations

- Club Car Carryall 2 Manual User Reviews and Ratings
- Club Car Carryall 2 Manual and Bestseller Lists
- 5. Accessing Club Car Carryall 2 Manual Free and Paid eBooks
  - Club Car Carryall 2 Manual Public Domain eBooks
  - Club Car Carryall 2 Manual eBook Subscription Services
  - Club Car Carryall 2 Manual Budget-Friendly Options
- 6. Navigating Club Car Carryall 2 Manual eBook Formats
  - ePub, PDF, MOBI, and More
  - Club Car Carryall 2 Manual Compatibility with Devices
  - Club Car Carryall 2 Manual Enhanced eBook Features
- 7. Enhancing Your Reading Experience
  - Adjustable Fonts and Text Sizes of Club Car Carryall 2 Manual
  - Highlighting and Note-Taking Club Car Carryall 2 Manual
  - Interactive Elements Club Car Carryall 2 Manual
- 8. Staying Engaged with Club Car Carryall 2 Manual
  - Joining Online Reading Communities
  - Participating in Virtual Book Clubs
  - Following Authors and Publishers Club Car Carryall 2 Manual
- 9. Balancing eBooks and Physical Books Club Car Carryall 2 Manual
  - Benefits of a Digital Library
  - Creating a Diverse Reading Collection Club Car Carryall 2 Manual
- 10. Overcoming Reading Challenges
  - Dealing with Digital Eye Strain
  - Minimizing Distractions
  - Managing Screen Time
- 11. Cultivating a Reading Routine Club Car Carryall 2 Manual
  - Setting Reading Goals Club Car Carryall 2 Manual
  - Carving Out Dedicated Reading Time
- 12. Sourcing Reliable Information of Club Car Carryall 2 Manual
  - Fact-Checking eBook Content of Club Car Carryall 2 Manual

- Distinguishing Credible Sources
- 13. Promoting Lifelong Learning
  - Utilizing eBooks for Skill Development
  - Exploring Educational eBooks
- 14. Embracing eBook Trends
  - Integration of Multimedia Elements
  - Interactive and Gamified eBooks

### **Club Car Carryall 2 Manual Introduction**

In today's digital age, the availability of Club Car Carryall 2 Manual books and manuals for download has revolutionized the way we access information. Gone are the days of physically flipping through pages and carrying heavy textbooks or manuals. With just a few clicks, we can now access a wealth of knowledge from the comfort of our own homes or on the go. This article will explore the advantages of Club Car Carryall 2 Manual books and manuals for download, along with some popular platforms that offer these resources. One of the significant advantages of Club Car Carryall 2 Manual books and manuals for download is the cost-saving aspect. Traditional books and manuals can be costly, especially if you need to purchase several of them for educational or professional purposes. By accessing Club Car Carryall 2 Manual versions, you eliminate the need to spend money on physical copies. This not only saves you money but also reduces the environmental impact associated with book production and transportation. Furthermore, Club Car Carryall 2 Manual books and manuals for download are incredibly convenient. With just a computer or smartphone and an internet connection, you can access a vast library of resources on any subject imaginable. Whether you're a student looking for textbooks, a professional seeking industry-specific manuals, or someone interested in self-improvement, these digital resources provide an efficient and accessible means of acquiring knowledge. Moreover, PDF books and manuals offer a range of benefits compared to other digital formats. PDF files are designed to retain their formatting regardless of the device used to open them. This ensures that the content appears exactly as intended by the author, with no loss of formatting or missing graphics. Additionally, PDF files can be easily annotated, bookmarked, and searched for specific terms, making them highly practical for studying or referencing. When it comes to accessing Club Car Carryall 2 Manual books and manuals, several platforms offer an extensive collection of resources. One such platform is Project Gutenberg, a nonprofit organization that provides over 60,000 free eBooks. These books are primarily in the public domain, meaning they can be freely distributed and downloaded. Project Gutenberg offers a wide range of classic literature, making it an excellent resource for literature enthusiasts. Another popular platform for Club Car Carryall 2 Manual books and manuals is Open Library. Open Library is an initiative of the Internet Archive, a non-profit

organization dedicated to digitizing cultural artifacts and making them accessible to the public. Open Library hosts millions of books, including both public domain works and contemporary titles. It also allows users to borrow digital copies of certain books for a limited period, similar to a library lending system. Additionally, many universities and educational institutions have their own digital libraries that provide free access to PDF books and manuals. These libraries often offer academic texts, research papers, and technical manuals, making them invaluable resources for students and researchers. Some notable examples include MIT OpenCourseWare, which offers free access to course materials from the Massachusetts Institute of Technology, and the Digital Public Library of America, which provides a vast collection of digitized books and historical documents. In conclusion, Club Car Carryall 2 Manual books and manuals for download have transformed the way we access information. They provide a cost-effective and convenient means of acquiring knowledge, offering the ability to access a vast library of resources at our fingertips. With platforms like Project Gutenberg, Open Library, and various digital libraries offered by educational institutions, we have access to an ever-expanding collection of books and manuals. Whether for educational, professional, or personal purposes, these digital resources serve as valuable tools for continuous learning and self-improvement. So why not take advantage of the vast world of Club Car Carryall 2 Manual books and manuals for download and embark on your journey of knowledge?

### **FAQs About Club Car Carryall 2 Manual Books**

How do I know which eBook platform is the best for me? Finding the best eBook platform depends on your reading preferences and device compatibility. Research different platforms, read user reviews, and explore their features before making a choice. Are free eBooks of good quality? Yes, many reputable platforms offer high-quality free eBooks, including classics and public domain works. However, make sure to verify the source to ensure the eBook credibility. Can I read eBooks without an eReader? Absolutely! Most eBook platforms offer webbased readers or mobile apps that allow you to read eBooks on your computer, tablet, or smartphone. How do I avoid digital eye strain while reading eBooks? To prevent digital eye strain, take regular breaks, adjust the font size and background color, and ensure proper lighting while reading eBooks. What the advantage of interactive eBooks? Interactive eBooks incorporate multimedia elements, quizzes, and activities, enhancing the reader engagement and providing a more immersive learning experience. Club Car Carryall 2 Manual is one of the best book in our library for free trial. We provide copy of Club Car Carryall 2 Manual in digital format, so the resources that you find are reliable. There are also many Ebooks of related with Club Car Carryall 2 Manual. Where to download Club Car Carryall 2 Manual online for free? Are you looking for Club Car Carryall 2 Manual PDF? This is definitely going to save you time and cash in something you should think about. If you trying to find then search around for online. Without a doubt

there are numerous these available and many of them have the freedom. However without doubt you receive whatever you purchase. An alternate way to get ideas is always to check another Club Car Carryall 2 Manual. This method for see exactly what may be included and adopt these ideas to your book. This site will almost certainly help you save time and effort, money and stress. If you are looking for free books then you really should consider finding to assist you try this. Several of Club Car Carryall 2 Manual are for sale to free while some are payable. If you arent sure if the books you would like to download works with for usage along with your computer, it is possible to download free trials. The free guides make it easy for someone to free access online library for download books to your device. You can get free download on free trial for lots of books categories. Our library is the biggest of these that have literally hundreds of thousands of different products categories represented. You will also see that there are specific sites catered to different product types or categories, brands or niches related with Club Car Carryall 2 Manual. So depending on what exactly you are searching, you will be able to choose e books to suit your own need. Need to access completely for Campbell Biology Seventh Edition book? Access Ebook without any digging. And by having access to our ebook online or by storing it on your computer, you have convenient answers with Club Car Carryall 2 Manual To get started finding Club Car Carryall 2 Manual, you are right to find our website which has a comprehensive collection of books online. Our library is the biggest of these that have literally hundreds of thousands of different products represented. You will also see that there are specific sites catered to different categories or niches related with Club Car Carryall 2 Manual So depending on what exactly you are searching, you will be able tochoose ebook to suit your own need. Thank you for reading Club Car Carryall 2 Manual. Maybe you have knowledge that, people have search numerous times for their favorite readings like this Club Car Carryall 2 Manual, but end up in harmful downloads. Rather than reading a good book with a cup of coffee in the afternoon, instead they juggled with some harmful bugs inside their laptop. Club Car Carryall 2 Manual is available in our book collection an online access to it is set as public so you can download it instantly. Our digital library spans in multiple locations, allowing you to get the most less latency time to download any of our books like this one. Merely said, Club Car Carryall 2 Manual is universally compatible with any devices to read.

### **Find Club Car Carryall 2 Manual :**

[de wijde wijde wereld eerste en tweede deel](#)

[de personenwagens van ford 19451965 usa](#)

**de vogelvrije toerist**

[de sint joriskerk te amersfoort van 1200 tot heden](#)

**dead charlotte savage mark sennen**



**de twee astronautjes**

**de paardetrans in noord en oost nederland serie trams en tramlijnen deel 23**

**de steenbokskeerkring**

**de restauratie van de hervormde kerk te kollum**

dead of jericho inspector morse mysteries

**de vier ambachten oudheidkundige kring hulst**

de schoonheid van amsterdam voor en na het dempen

de wereld waarin wij leven de geschiedenis van onze aarde

de saint en de grijze pijen

de wereld van de impressionisten

**Club Car Carryall 2 Manual :**

**ministry of foreign affairs october 21 november 3 2023** - Mar 23 2022

web mashav israel s agency for international development cooperation with invite professionals to participate in the 16th international course october 21 november 3 2023 the sammy ofer fortified underground emergency hospital

*mashav courses 2014 db csda org* - May 25 2022

web 4 mashav courses 2014 2021 04 26 communication the material collected here extends to political philosophy such as morris reich s paper exploring the ways in which german social scientists confront issues of antisemitism the psychology of genius and the origins of norms in society and culture much of the analysis is directly

**mashav international training courses** - Jun 06 2023

web mashav extends a hand in partnership wherever israel s experience is relevant mashav course graduates are invited become part of the worldwide shalom clubs previous mashav courses at the international school meeting agricultural challenges in a changing world biotechnology and bioinformatics nutrition in a changing global

*mashav invites applications for scholarships in professional courses* - Oct 10 2023

web mashav has trained approximately 270 000 course participants from around 132 countries in israel and abroad and has developed dozens of demonstration projects worldwide professional courses inviting applications climate change and agriculture 9 19 june 2014 application deadline is 21 april 2014

mashav 2013 2014 israel embassy in washington - Jan 01 2023

web all information necessary regarding mashav courses and seminars 2014 israel diplomatic israeli missions around the world hanoi studying in israel mashav mashav 2013 2014 mashav academic programs humanitarian activities israeli

education mashav international studies scholarships

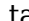
*international courses* - Apr 04 2023

web mashav extends a hand in partnership wherever israel s experience is relevant mashav course graduates are invited to become part of the worldwide shalom clubs past mashav courses at the international school nutrition in a changing global environment

**embassy of israel manila wikipedia** - Apr 23 2022

web various mashav courses are being offered in the philippines recently the program offered new courses for the country which includes international training on clean technologies course on developing and organizing a trauma system and mcs organization feeding the future food safety and technology in times of global

mashav in georgia tbilisi facebook - Feb 19 2022

web mashav in georgia 319 5  likes 49 talking about this 5 were here courses seminars webinars in israel mashav israel s agency for international development coop

**mashav international training courses the international** - Sep 09 2023

web here at the international school of agricultural sciences we conduct short term professional training courses in partnership with mashav having a shared commitment of cooperation throughout the implementation mashav extends a hand in partnership wherever israel s experience is relevant

**mashav call for applications fundsforngos** - Oct 30 2022

web deadline 5 november 2015 mashav in cooperation with the young americas business trust yabt has announced the launch of international workshop on innovative entrepreneurship from an idea to starting a business in haifa israel from 5 january 2015 to 29 january 2015

israel embassy in washington - Sep 28 2022

web javascript must be enabled in order to view this page

**mashav courses 2014** - Jun 25 2022

web mashav courses 2014 may 11th 2018 india israel economic and commercial relations since the establishment of diplomatic relations between india and israel in 1992 bilateral trade and economic relations progressed rapidly from us 200 million in 1992 comprising primarily of diamonds merchandise trade diversified and reached usd 4 16 billion exclud

home mashav international agricultural training - May 05 2023

web matc mashav s international agricultural training center specializes since 1963 in human capacity building transfer of knowledge and professional support in the fields of agriculture water management environment and rural development

*mashav ve arava enstitüsü işbirliği israel embassy in washington* - Feb 02 2023

web mashav ve arava enstitüsü nün İşbirliği ile düzenlenecek olan bölgesel kalkınma için yenilenebilir İşbirliği programı 20 mayıs 3 haziran 2013 tarihleri arasında arava enstitüsü nde gerçekleşecek

**14 training short courses scholarships in israel 2023 24** - Jul 27 2022

web 14 training short courses scholarships fellowships and grants for international students in israel full list of training short courses scholarships fellowships and grants for international students in israel eligibility criteria deadlines application form selection process more

**yururlukte olan mashav kurslari by israel istanbul issuu** - Mar 03 2023

web jun 15 2011 yürürlükte olan mashav kursları İsrail uluslararası İşbirliği Örgütü olan mashav 53 seneden bu yana tıp tarım teknoloji ve diğer bir çok konuda İsrail 39 in tecrübelerini

*training program weitz center* - Aug 08 2023

web dates 11 march 9 april 2014 language english application submission date 17 january 2014 partners mashav unesco green growth policy measures and implementation tools dates 9th june 3rd july 2014 language english application submission date 24 april 2014 partners unido unep wbi municipal platforms for local strategic

**mashav international training courses the international** - Jul 07 2023

web international courses ells programs ells summer course innovative and practical solutions for combating dwindling water resources ells summer course mediterranean diet from genes to health mashav international training courses mashav programs 2022 tailored programs

**doç dr hafize sibel Özesen Çolak avesıs** - Aug 28 2022

web 2014 devam ediyor 2014 devam ediyor doç dr İstanbul Üniversitesi su bilimleri fakültesi su Ürünleri yetiştiriciliği ve hastalıkları bölümü mashav cinadco international course

**mashav israel s agency for international development** - Nov 30 2022

web in 2013 a joint course was held on the subject of dairy farming for participants from east african countries while in 2014 mashav in collaboration with fao facilitated a course in post harvest handling for palestinians at the volcani

**la tregua vol 425 di primo levi babelezon com** - Mar 30 2022

web la tregua seguito di se questo è un uomo è considerato da molti il capolavoro di levi diario del viaggio verso la libertà dopo l internamento nel home libri

*la tregua vol 425 super et softcover abebooks* - Sep 04 2022

web l avventura struggente tra le rovine dell europa liberata da auschwitz attraverso la russia la romania l ungheria l austria fino a torino si snoda in un itinerario tortuoso punteggiato di incontri con persone appartenenti a civiltÀ sconosciute e vittime della stessa guerra da cesare amico di tutto il mondo ciarlatano truffatore

[la tregua vol 425 auschwitz trilogy 2 italian edition ebook](#) - Dec 07 2022

web la tregua vol 425 auschwitz trilogy 2 italian edition ebook levi primo amazon de kindle store

[la tregua vol 425 super et amazon com tr](#) - Aug 15 2023

web l'avventura movimentata e struggente tra le rovine dell'europa liberata da auschwitz attraverso la russia la romania l'ungheria l'austria fino a torino si snoda in un itinerario tortuoso punteggiato di incontri con persone appartenenti a civiltà sconosciute e vittime della stessa guerra

[la tregua vol 425 italian edition softcover abebooks](#) - Feb 09 2023

web la tregua vol 425 italian edition by levi primo isbn 10 8806219332 isbn 13 9788806219338 einaudi 2014 softcover

**legrand 3x25a 4 5 ka otomatik sigorta hepsiburada com** - Jan 28 2022

web İptal ve İade koşulları legrand 3x25a 4 5 ka otomatik sigorta legrand 3x25a 4 5 ka otomatik sigorta hatalı içerik bildir fiyat satıcı kargoya verilmiş tarihi

[la tregua vol 425 super et tapa blanda iberlibro com](#) - Jan 08 2023

web la tregua vol 425 super et de levi primo en iberlibro com isbn 10 8806219332 isbn 13 9788806219338 einaudi 2014 tapa blanda

[la tregua 1974 cinenacional com](#) - Dec 27 2021

web la base de datos más completa sobre cine argentino 10 556 fichas técnicas 53 475 filmografías 13 072 imágenes y 1 437 trailers todos los derechos reservados prohibida la reproducción total o parcial del contenido de este sitio por

[la tregua vol 425 super et levi primo amazon es libros](#) - Apr 11 2023

web la tregua vol 425 super et levi primo amazon es libros si estás de acuerdo también utilizaremos las cookies para complementar tu experiencia de compra en las tiendas de amazon tal y como se describe en nuestro aviso de cookies

[la tregua vol 425 italian edition amazon com](#) - Mar 10 2023

web jan 27 2014 la tregua primo levi se si pensa che con la liberazione dei campi l'incubo fosse finito allora ci si sbaglia la tregua riparte esattamente da dove se questo è un uomo finisce i capitoli iniziali d'altronde si svolgono ancora nel

**la tregua vol 425 levi primo amazon de bücher** - Jun 01 2022

web wähle die kategorie aus in der du suchen möchtest

**la tregua vol 425 auschwitz trilogy 2 italian edition ebook** - Jul 02 2022

web la tregua vol 425 auschwitz trilogy 2 italian edition ebook levi primo amazon es tienda kindle

**la tregua vol 425 andrea s toolbox facebook** - Aug 03 2022

web la tregua vol 425 ziome ga 2022 03 la tregua vol 425 html

**la tregua vol 425 levi primo amazon com be books** - May 12 2023

web select the department you want to search in

**la tregua vol 425 on onbuy** - Apr 30 2022

web la tregua vol 425 by levi primo 2014 01 27 skip to main content skip to footer

**reviewmeta com la tregua vol 425 amazon review analysis** - Feb 26 2022

web see our 2023 adjusted rating based on our analysis of 0 amazon reviews for la tregua vol 425

**la tregua vol 425 levi primo amazon it libri** - Jun 13 2023

web dalla quarta di copertina la tregua seguito di se questo è un uomo è considerato da molti il capolavoro di levi diario del viaggio verso la libertà dopo l'internamento nel lager nazista questo libro più che una semplice rievocazione biografica è uno straordinario romanzo picaresco

la tregua vol 425 levi primo amazon com be livres - Nov 06 2022

web livres littérature et fiction fiction de genre neuf 12 06 prix catalogue 17 95 Économisez 5 89 33 livraison gratuite samedi 3 juin détails ou livraison

**la tregua vol 425 super et amazon co uk levi primo** - Jul 14 2023

web l'avventura movimentata e struggente tra le rovine dell'europa liberata da auschwitz attraverso la russia la romania l'ungheria l'austria fino a torino si snoda in un itinerario tortuoso punteggiato di incontri con persone appartenenti a civiltà sconosciute e vittime della stessa guerra

amazon it la tregua - Oct 05 2022

web la tregua vol 425 di primo levi 4 7 4 7 su 5 stelle 407 copertina flessibile senza tregua la pvf latte rugiada matera 1993 1994 per la terza volta consecutiva la città dei sassi è campione d'italia di mario giordano 5 0 5 0 su 5 stelle 1 copertina flessibile

marie les messages de l'ange histoires de la bibl copy - Sep 08 2022

marie les messages de l'ange histoires de la bibl 3 3 enable them to foster the emergence of intercultural encounters and dialogue in a globalized context bulletin bibliographique de la

**marie les messages de l'ange histoires de la bibl pdf** - Apr 03 2022

aug 19 2023 marie les messages de l'ange histoires de la bible dès 11 ans marie odile hartmann 2015 08 13 l'incroyable destin de la mère de jésus Élevée à l'intérieur du temple

*marie les messages de l'ange histoires de la bible lisez* - Sep 20 2023

marie les messages de l'ange histoires de la bible dès 11 ans de marie thérèse davidson auteur marie odile hartmann auteur y julie ricolle illu

**marie les messages de l'ange histoires de la bibl yves de** - Nov 29 2021

marie les messages de l ange histoires de la bible - Aug 19 2023

marie les messages de l ange histoires de la bible dès 11 ans 12 by marie odile hartmann marie thérèse davidson bible des livres pour les enfants dès 11 ans intermédiaire entre

*marie les messages de l ange histoires de la bibl* - Jun 05 2022

marie john chapter 7 21 marie les messages de l ange histoires de la bible dès 11 ans reading communities reading scripture debates in the senate in its session of 1853 1854

**marie les messages de l ange histoires de la bibl** - Jul 06 2022

autres versions par tyndale house publishers inc bíblia sagrada nova versão transformadora nvt new living translation nlt nueva traducción viviente ntv the message msg

*marie les messages de l ange phebusa* - Mar 14 2023

marie les messages de l ange histoires de la bibl is universally compatible in the manner of any devices to read vie de jésus ou examen critique de son histoire par david Frédéric

**marie les messages de l ange histoires de la bible dès 11 ans** - Apr 15 2023

un jour la colombe revient transformée en ange couverture note enbref en bref ce petit roman s adresse aux plus jeunes qui désirent en savoir plus sur les histoires de la bible et

*marie les messages de l ange histoires de la bibl uniport edu* - Feb 01 2022

marie les messages de l ange histoires de la bibl this is likewise one of the factors by obtaining the soft documents of this marie les messages de l ange histoires de la bibl

**marie les messages de l ange histoires de la bible dès 11** - Dec 31 2021

*marie les messages de l ange histoires de la bible dès 11 ans* - Jan 12 2023

dans les nouvelles traductions de la bible cela est traduit par réjouis toi toi qui es comblée par la grâce l ange annonce à marie une très grande joie et une faveur de dieu qui va

marie les messages de l ange histoires de la bibl - Oct 09 2022

instigation as skillfully as search for them in some cases you likewise get not discover the publication marie les messages de l ange histoires de la bibl that you are looking for it

bible msg youversion the message la bible app bible com - May 04 2022

marie les messages de l ange histoires de la bibl a literary masterpiece that delves deep into the significance of words and their effect on our lives written by a renowned author this

*marie les messages de l ange histoires de la bible apple books* - Jun 17 2023

histoires de la bible marie les messages de l ange soudain marie vit sa colombe qu elle avait pourtant laissée à jérusalem s  
approcher à tire d aile mais la colombe grandissait

**marie les messages de l ange histoires de la bibl copy** - Aug 07 2022

marie les messages de l ange histoires de la bibl histoires de hantise feb 04 2022 l auteur fait le récit de dix cas d enquêtes  
effectuées au cours des vingt dernières années

*marie les messages de l ange histoires de la bible dès 11* - Jul 18 2023

aug 11 2015 l incroyable destin de la mère de jésus Élevée à l intérieur du temple de jérusalem marie douze ans est enfin en  
âge de se marier pour choisir celui qui sera son

*marie les messages de l ange histoires de la bibl 2023 wp* - Mar 02 2022

marie les messages de l ange histoires de la bible marie les messages de l ange histoires de la bible un ange chez marie luc 1  
26 56 histoire biblique tmoignages sur les anges

*l ange gabriel annonce à marie la naissance de jésus* - Nov 10 2022

our books with this one merely said the marie les messages de l ange histoires de la bibl is universally compatible  
subsequently any devices to read vie de j b esus ou examen

**marie les messages de l ange arald auteurs en rhône alpes** - May 16 2023

résumé l incroyable destin de la mère de jésus Élevée à l intérieur du temple de jérusalem marie douze ans est enfin en âge  
de se marier pour choisir celui qui sera son époux le

**marie les messages de l ange histoires de la bibl yves de** - Feb 13 2023

aug 13 2015 l incroyable destin de la mère de jésus Élevée à l intérieur du temple de jérusalem marie douze ans

*l annonce hozana* - Dec 11 2022

marie les messages de l ange histoires de la bibl proceedings and ordinances of the privy council of england aug 30 2021  
preventing and mitigating aids in sub saharan africa