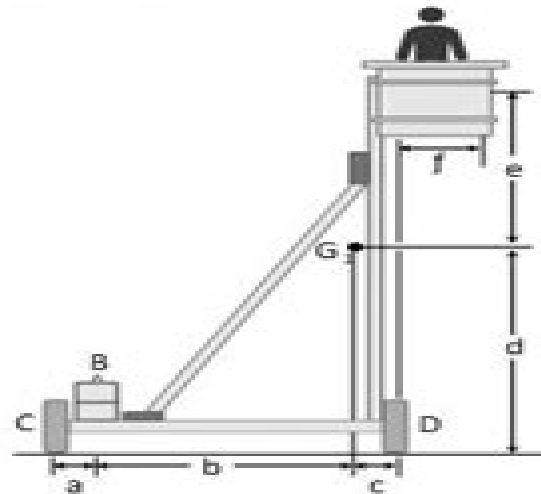


1. The platform assembly shown in the figure has a weight  $W_1 = 1kN$  and center of gravity at  $G_1$ . If it is intended to support a maximum load  $W_2 = 1.6kN$  a placed at point  $G_2$ . Determine the smallest counterweight  $W$  that should be placed at B in order to prevent the platform from tipping over.  
Take  $a = 0.5m$ ,  $b = 3m$ ,  $c = 0.5m$ ,  $d = 4m$ ,  $e = 3m$  and  $f = 1m$



- A.  $W = 159\text{ N}$  upwards  
 B.  $W = 653\text{ N}$  upwards  
 C.  $W = 357\text{ N}$  downwards  
 D.  $W = 314\text{ N}$  downwards  
 E.  $W = 592\text{ N}$  downwards

### Solution

The correct answer is **D**.

The platform assembly shown in the figure has a weight  $W_1 = 1kN$  and center of gravity at  $G_1$ . If it is intended to support a maximum load  $W_2 = 1.6kN$  a placed at point  $G_2$ , determine the smallest counterweight  $W$  that should be placed at B in order to prevent the platform from tipping over.  
Take  $a = 0.5m$ ,  $b = 3m$ ,  $c = 0.5m$ ,  $d = 4m$ ,  $e = 3m$  and  $f = 1m$

# Civil Engineering Fe Exam Study Guide

**Mo Iqbal, Ali Iqbal**



## **Civil Engineering Fe Exam Study Guide:**

Civil Engineering Donald G. Newnan, 2004 This detailed study guide prepares civil engineering candidates for the depth portion of the FE exam Includes more than 140 example problems with step by step solutions a complete four hour practice exam and SI units *Civil FE Exam Prep Guide* Mo Iqbal, Ali Iqbal, 2013-10-15 Civil Engineering FE Exam Preparation Workbook contains over 600 problems designed to reinforce your understanding of civil engineering concepts and equations found in the NCEES FE Reference Handbook Like the actual exam problems are grouped by topic and are multiple choice Solutions are provided for all problems so you can review problem solving methods Also included is a detailed appendix to help you find each solution s related engineering concepts in the NCEES Handbook Features of the Civil Engineering FE Exam Preparation Workbook Provides over 600 exam like problems Guides understanding of problem solving methods by grouping solutions with problems Features a detailed appendix that relates solutions to the NCEES Handbook Topics Covered Computational Tools Construction Dynamics Engineering Economics Ethics and Professional Practice Fluid Mechanics Geotechnical Engineering Hydraulics and Hydrologic Systems Materials Mathematics Mechanics of Materials Probability and Statistics Statics Structural Analysis Structural Design Surveying Transportation Engineering

**Fundamentals of Engineering FE Civil All-in-One Exam Guide** Indranil Goswami, 2018-03-23 This highly effective study guide offers 100% coverage of every subject on the FE Civil exam This self study resource contains all of the information you need to prepare for and pass the challenging FE Civil exam on the first try The book features clear explanations of every topic on the exam as well as hands on exam strategies and accurate practice problems with fully worked solutions Organized to follow the order of the official exam syllabus the book includes references to the official FE Reference Handbook along with tips on how to utilize that resource during the exam itself Written by a leading civil engineering educator and exam coach Fundamentals of Engineering FE Civil All in One Exam Guide helps you pass the exam with ease Contains complete coverage of all objectives for the FE Civil exam Follows the exact order of the official exam syllabus Written by an experienced educator and researcher **Civil Engineering FE Exam Preparation Workbook** Mo Iqbal, Ali Iqbal, 2015 Over 600 Civil FE Exam Problems with Solutions Civil Engineering FE Exam Preparation Workbook contains over 600 problems designed to reinforce your understanding of civil engineering concepts and equations found in the NCEES FE Reference Handbook Like the actual exam problems are grouped by topic and are multiple choice Solutions are provided for all problems so you can review problem solving methods Also included is a detailed appendix to help you find each solution s related engineering concepts in the NCEES Handbook Topics Covered Computational Tools Construction Dynamics Engineering Economics Environmental Engineering Ethics and Professional Practice Fluid Mechanics Geotechnical Engineering Hydraulics and Hydrologic Systems Materials Mathematics Mechanics of Materials Probability and Statistics Statics Structural Analysis Structural Design Surveying Transportation Engineering **FE Civil Review Manual** Michael R.

Lindeburg,2014 Prepare to pass the computer based FE Civil exam with PPI s FE Civil Review Manual *Civil Engineering FE Exam Preparation Sample Questions and Solutions* Anthem Books,2017-03-12 The standard for Civil Engineering FE Review includes 110 practice problems with full solutions Set up to provide in depth analysis of likely FE exam problems This guide will get anyone ready for the Civil FE Exam Topics covered Statics Dynamics Mechanics of Materials Geotechnical Transportation Environmental Engineering Fluid Mechanics Hydraulics Hydrologic Systems Structural Analysis Design

**Civil Engineering FUNDAMENTALS A REVIEW MANUAL FOR THE SAUDI FE EXAM VOLUME II** Z.A. Memon, B. Sultan, I. M. Katar,2024-06-05 Civil Engineering Fundamentals A Review Manual for the Saudi FE Exam Volume II The book Civil Engineering Fundamentals A Review Manual for the Saudi FE Exam Volume II is a comprehensive study guide designed to help aspiring engineers prepare for the FE exam in the field of civil engineering It covers key subjects such as surveying building materials construction management environmental engineering and water resources engineering The book provides both theoretical explanations and practical examples in the style of the exam allowing readers to gain a thorough understanding of the topics and practice solving problems It also offers detailed and systematic solutions to the example problems helping readers learn from their mistakes and improve their problem solving skills This review handbook is specifically tailored to the needs of civil engineering professionals in Saudi Arabia bridging the gap between academic study and practical application It not only prepares readers for the FE exam but also equips them with the knowledge and skills necessary for a successful career in the field of civil engineering About the Authors The authors of this study book are faculty members in the College of Engineering at Prince Sultan University PSU Riyadh They have extensive experience in teaching and research in the field of civil engineering Dr Zubair Memon Dr Basel Sultan and Dr Ihab Katar have dedicated several years to imparting knowledge to undergraduate students with a specific focus on teaching civil engineering courses Their expertise and experience in the field contribute to the credibility and reliability of the study **Ppi Fe Civil Exams--Five Full Practice Exams with Step-By-Step Solutions** Mohammad Iqbal, Ali Iqbal,2021-03-22 The new FE Civil Exams book includes five full practice exams containing 550 problems designed to reinforce your understanding of civil engineering concepts and equations found in the NCEES FE Reference Handbook Solutions are provided for all problems so you can review problem solving methods Also included is a detailed appendix to help you find each solution s related equations and engineering concepts in the NCEES Handbook Features Include Provides five 110 question practice exams A mix of multiple choice questions and alternative item types AITs to give you realistic exam practice Problems are designed to be solved in three minutes or less to demonstrate the format and difficulty of the exam Topics Covered Mathematics and Statistics Ethics and Professional Practice Engineering Economics Statics Dynamics Mechanics of Materials Materials Fluid Mechanics Surveying Water Resources and Environmental Engineering Structural Engineering Geotechnical Engineering Transportation Engineering Construction Engineering Civil Discipline-specific Review for the FE/EIT Exam Robert H.

Kim,1997 The FE exam the first in the two part engineering licensing process is taken typically by upper level students or recent graduates in April or October This eight hour exam is closed book except for a handout provided in the examination room The exam is divided into morning and afternoon sessions The morning exam with 120 multiple choice problems is the same for everyone In the afternoon examinees must choose to take a discipline specific DS or a general exam each with 60 multiple choice problems The Discipline Specific Reviews are used to study for the afternoon DS exams **Practice Exam for the General + Civil Fe Exam** Indranil Goswami P.e.,Indranil Goswami, Dr,2013-12 Effective January 2014 the Fundamentals of Engineering FE exams are drastically different The new format to be delivered via CBT computer based testing will become the norm in 2014 The exam can be taken throughout the year unlike the twice a year schedule The syllabus for the new FE CIVIL exam is very different from the one you would have taken if you took the paper test last one October 2013 The test will now have approximately 5 hours and 20 minutes available for approximately 110 questions In the past AM questions were of the 2 minute variety and PM questions were of the 4 minute variety Now you have about 3 minutes per question So the average pace of the exam is about the same This book has a full length practice exam with a mix of questions as recommended in the official syllabus [www.ncees.org](http://www.ncees.org) The only reference that should be used is the FE Reference Handbook 9th edition preferably the electronic PDF version since the CBT exam will be supported by a PDF version of the handbook rather than a hardcopy The practice exam contains questions from Mathematics Probability Statistics Computational Methods Ethics Engineering Economics Statics Dynamics Mechanics of Materials Fluid Mechanics Materials Hydraulics Hydrology Environmental Engineering Construction Geotechnical Engineering Surveying Structural Analysis Design Transportation

This book delves into Civil Engineering Fe Exam Study Guide. Civil Engineering Fe Exam Study Guide is a vital topic that must be grasped by everyone, from students and scholars to the general public. The book will furnish comprehensive and in-depth insights into Civil Engineering Fe Exam Study Guide, encompassing both the fundamentals and more intricate discussions.

1. The book is structured into several chapters, namely:

- Chapter 1: Introduction to Civil Engineering Fe Exam Study Guide
- Chapter 2: Essential Elements of Civil Engineering Fe Exam Study Guide
- Chapter 3: Civil Engineering Fe Exam Study Guide in Everyday Life
- Chapter 4: Civil Engineering Fe Exam Study Guide in Specific Contexts
- Chapter 5: Conclusion

2. In chapter 1, the author will provide an overview of Civil Engineering Fe Exam Study Guide. This chapter will explore what Civil Engineering Fe Exam Study Guide is, why Civil Engineering Fe Exam Study Guide is vital, and how to effectively learn about Civil Engineering Fe Exam Study Guide.

3. In chapter 2, this book will delve into the foundational concepts of Civil Engineering Fe Exam Study Guide. This chapter will elucidate the essential principles that need to be understood to grasp Civil Engineering Fe Exam Study Guide in its entirety.

4. In chapter 3, this book will examine the practical applications of Civil Engineering Fe Exam Study Guide in daily life. This chapter will showcase real-world examples of how Civil Engineering Fe Exam Study Guide can be effectively utilized in everyday scenarios.

5. In chapter 4, this book will scrutinize the relevance of Civil Engineering Fe Exam Study Guide in specific contexts. The fourth chapter will explore how Civil Engineering Fe Exam Study Guide is applied in specialized fields, such as education, business, and technology.

6. In chapter 5, the author will draw a conclusion about Civil Engineering Fe Exam Study Guide. This chapter will summarize the key points that have been discussed throughout the book.

This book is crafted in an easy-to-understand language and is complemented by engaging illustrations. This book is highly recommended for anyone seeking to gain a comprehensive understanding of Civil Engineering Fe Exam Study Guide.

<https://oneclubsober.com/data/scholarship/default.aspx/daihatsu%20feroza%20user%20manual.pdf>

## **Table of Contents Civil Engineering Fe Exam Study Guide**

1. Understanding the eBook Civil Engineering Fe Exam Study Guide
  - The Rise of Digital Reading Civil Engineering Fe Exam Study Guide
  - Advantages of eBooks Over Traditional Books
2. Identifying Civil Engineering Fe Exam Study Guide
  - Exploring Different Genres
  - Considering Fiction vs. Non-Fiction
  - Determining Your Reading Goals
3. Choosing the Right eBook Platform
  - Popular eBook Platforms
  - Features to Look for in an Civil Engineering Fe Exam Study Guide
  - User-Friendly Interface
4. Exploring eBook Recommendations from Civil Engineering Fe Exam Study Guide
  - Personalized Recommendations
  - Civil Engineering Fe Exam Study Guide User Reviews and Ratings
  - Civil Engineering Fe Exam Study Guide and Bestseller Lists
5. Accessing Civil Engineering Fe Exam Study Guide Free and Paid eBooks
  - Civil Engineering Fe Exam Study Guide Public Domain eBooks
  - Civil Engineering Fe Exam Study Guide eBook Subscription Services
  - Civil Engineering Fe Exam Study Guide Budget-Friendly Options
6. Navigating Civil Engineering Fe Exam Study Guide eBook Formats
  - ePub, PDF, MOBI, and More
  - Civil Engineering Fe Exam Study Guide Compatibility with Devices
  - Civil Engineering Fe Exam Study Guide Enhanced eBook Features
7. Enhancing Your Reading Experience
  - Adjustable Fonts and Text Sizes of Civil Engineering Fe Exam Study Guide
  - Highlighting and Note-Taking Civil Engineering Fe Exam Study Guide
  - Interactive Elements Civil Engineering Fe Exam Study Guide

8. Staying Engaged with Civil Engineering Fe Exam Study Guide
  - Joining Online Reading Communities
  - Participating in Virtual Book Clubs
  - Following Authors and Publishers Civil Engineering Fe Exam Study Guide
9. Balancing eBooks and Physical Books Civil Engineering Fe Exam Study Guide
  - Benefits of a Digital Library
  - Creating a Diverse Reading Collection Civil Engineering Fe Exam Study Guide
10. Overcoming Reading Challenges
  - Dealing with Digital Eye Strain
  - Minimizing Distractions
  - Managing Screen Time
11. Cultivating a Reading Routine Civil Engineering Fe Exam Study Guide
  - Setting Reading Goals Civil Engineering Fe Exam Study Guide
  - Carving Out Dedicated Reading Time
12. Sourcing Reliable Information of Civil Engineering Fe Exam Study Guide
  - Fact-Checking eBook Content of Civil Engineering Fe Exam Study Guide
  - Distinguishing Credible Sources
13. Promoting Lifelong Learning
  - Utilizing eBooks for Skill Development
  - Exploring Educational eBooks
14. Embracing eBook Trends
  - Integration of Multimedia Elements
  - Interactive and Gamified eBooks

### **Civil Engineering Fe Exam Study Guide Introduction**

In today's digital age, the availability of Civil Engineering Fe Exam Study Guide books and manuals for download has revolutionized the way we access information. Gone are the days of physically flipping through pages and carrying heavy textbooks or manuals. With just a few clicks, we can now access a wealth of knowledge from the comfort of our own homes or on the go. This article will explore the advantages of Civil Engineering Fe Exam Study Guide books and manuals for download, along with some popular platforms that offer these resources. One of the significant advantages of Civil



Engineering Fe Exam Study Guide books and manuals for download is the cost-saving aspect. Traditional books and manuals can be costly, especially if you need to purchase several of them for educational or professional purposes. By accessing Civil Engineering Fe Exam Study Guide versions, you eliminate the need to spend money on physical copies. This not only saves you money but also reduces the environmental impact associated with book production and transportation. Furthermore, Civil Engineering Fe Exam Study Guide books and manuals for download are incredibly convenient. With just a computer or smartphone and an internet connection, you can access a vast library of resources on any subject imaginable. Whether you're a student looking for textbooks, a professional seeking industry-specific manuals, or someone interested in self-improvement, these digital resources provide an efficient and accessible means of acquiring knowledge. Moreover, PDF books and manuals offer a range of benefits compared to other digital formats. PDF files are designed to retain their formatting regardless of the device used to open them. This ensures that the content appears exactly as intended by the author, with no loss of formatting or missing graphics. Additionally, PDF files can be easily annotated, bookmarked, and searched for specific terms, making them highly practical for studying or referencing. When it comes to accessing Civil Engineering Fe Exam Study Guide books and manuals, several platforms offer an extensive collection of resources. One such platform is Project Gutenberg, a nonprofit organization that provides over 60,000 free eBooks. These books are primarily in the public domain, meaning they can be freely distributed and downloaded. Project Gutenberg offers a wide range of classic literature, making it an excellent resource for literature enthusiasts. Another popular platform for Civil Engineering Fe Exam Study Guide books and manuals is Open Library. Open Library is an initiative of the Internet Archive, a non-profit organization dedicated to digitizing cultural artifacts and making them accessible to the public. Open Library hosts millions of books, including both public domain works and contemporary titles. It also allows users to borrow digital copies of certain books for a limited period, similar to a library lending system. Additionally, many universities and educational institutions have their own digital libraries that provide free access to PDF books and manuals. These libraries often offer academic texts, research papers, and technical manuals, making them invaluable resources for students and researchers. Some notable examples include MIT OpenCourseWare, which offers free access to course materials from the Massachusetts Institute of Technology, and the Digital Public Library of America, which provides a vast collection of digitized books and historical documents. In conclusion, Civil Engineering Fe Exam Study Guide books and manuals for download have transformed the way we access information. They provide a cost-effective and convenient means of acquiring knowledge, offering the ability to access a vast library of resources at our fingertips. With platforms like Project Gutenberg, Open Library, and various digital libraries offered by educational institutions, we have access to an ever-expanding collection of books and manuals. Whether for educational, professional, or personal purposes, these digital resources serve as valuable tools for continuous learning and self-improvement. So why not take advantage of the vast world of Civil Engineering Fe Exam Study Guide books and manuals for download and embark on

your journey of knowledge?

## **FAQs About Civil Engineering Fe Exam Study Guide Books**

**What is a Civil Engineering Fe Exam Study Guide PDF?** A PDF (Portable Document Format) is a file format developed by Adobe that preserves the layout and formatting of a document, regardless of the software, hardware, or operating system used to view or print it. **How do I create a Civil Engineering Fe Exam Study Guide PDF?** There are several ways to create a PDF: Use software like Adobe Acrobat, Microsoft Word, or Google Docs, which often have built-in PDF creation tools. Print to PDF: Many applications and operating systems have a "Print to PDF" option that allows you to save a document as a PDF file instead of printing it on paper. Online converters: There are various online tools that can convert different file types to PDF. **How do I edit a Civil Engineering Fe Exam Study Guide PDF?** Editing a PDF can be done with software like Adobe Acrobat, which allows direct editing of text, images, and other elements within the PDF. Some free tools, like PDFescape or Smallpdf, also offer basic editing capabilities. **How do I convert a Civil Engineering Fe Exam Study Guide PDF to another file format?** There are multiple ways to convert a PDF to another format: Use online converters like Smallpdf, Zamzar, or Adobe Acrobats export feature to convert PDFs to formats like Word, Excel, JPEG, etc. Software like Adobe Acrobat, Microsoft Word, or other PDF editors may have options to export or save PDFs in different formats. **How do I password-protect a Civil Engineering Fe Exam Study Guide PDF?** Most PDF editing software allows you to add password protection. In Adobe Acrobat, for instance, you can go to "File" -> "Properties" -> "Security" to set a password to restrict access or editing capabilities. Are there any free alternatives to Adobe Acrobat for working with PDFs? Yes, there are many free alternatives for working with PDFs, such as: LibreOffice: Offers PDF editing features. PDFsam: Allows splitting, merging, and editing PDFs. Foxit Reader: Provides basic PDF viewing and editing capabilities. How do I compress a PDF file? You can use online tools like Smallpdf, ILovePDF, or desktop software like Adobe Acrobat to compress PDF files without significant quality loss. Compression reduces the file size, making it easier to share and download. Can I fill out forms in a PDF file? Yes, most PDF viewers/editors like Adobe Acrobat, Preview (on Mac), or various online tools allow you to fill out forms in PDF files by selecting text fields and entering information. Are there any restrictions when working with PDFs? Some PDFs might have restrictions set by their creator, such as password protection, editing restrictions, or print restrictions. Breaking these restrictions might require specific software or tools, which may or may not be legal depending on the circumstances and local laws.

**Find Civil Engineering Fe Exam Study Guide :**

**daihatsu feroza user manual**

*daimler v8 workshop manual*

**daily writing prompts just for middle school**

**damsel under stress enchanted inc book 3 enchanted inc**

dancers photographers at work

daisy 15xt bb gun repair manual

*daihatsu charade g203 workshop manual*

*daihatsu f70 f75 f77 fourtrak workshop manual*

**damn good advice for people with talent**

daily soap note occupational therapy

daktar diplomat in bangladesh

**daihatsu trevis service manual**

daisy rifle 880 manual

dal visibile all invisibile dal visibile all invisibile

daikin ducted split installation manual doc

**Civil Engineering Fe Exam Study Guide :**

**financial performance report ratio and formula guide** - Jul 04 2023

web table of contents ratio calculations 2 annualization 2 ratio components 2 key ratios 4 chartered federally insured credit unions for investments not authorized by ncu in

ncua insured institution investopedia - May 22 2022

web volume 8045 of ncu series author united states national credit union administration publisher national credit union administration 1974 original from university of illinois

*today s best cd rates nov 7 2023 cnet* - Nov 15 2021

web see guide table of contents ncu as you such as by searching the title publisher or authors of guide you really want you can discover them rapidly in the house workplace

table of contents ncu help environment harvard edu - Oct 15 2021

web jun 3 2023 table of contents ncu is accessible in our literature assemblage an online access to it is set as public so you

can get it instantly yet below when you visit this web

*12 cfr parts 702 and 703 ncu* - Sep 06 2023

web dec 16 2021 table of contents i background a the ncu s risk based capital requirements b the other banking agencies riskbased capital and cblr

**financial performance report user guide national credit union** - Feb 28 2023

web mar 16 2022 alexandria va march 16 2022 the national credit union administration today released its 2021 annual report opens new window highlighting

**national credit union administration ncu overview** - Dec 29 2022

web ncu organizational chart 5 ncu highlights 6 federally insured credit unions highlights 9 legislative highlights 11 office of the inspector general 14 audit activity 16 investigative

*ncu* - Apr 01 2023

web sep 30 2022 table of contents types of fpr 2 standard fpr contents 7 other fpr information 12 ncu contact information 14 single credit union fpr 2 aggregate fpr

*ecfr 12 cfr 702 102 capital classification* - Aug 25 2022

web feb 12 2019 the national credit union administration ncu is the independent agency that administers the national credit union share insurance fund ncusif like the

*accounting manual for federal credit unions google books* - Apr 20 2022

web table of contents ncu homepage table of contents chapter 1 introduction why update this guide what approach have you taken in revising the

**ncu posts 2024 2025 proposed budget sets november 16** - Jul 12 2021

**table of contents ncu homepage pdf4pro com** - Mar 20 2022

web the world energy outlook 2023 provides in depth analysis and strategic insights into every aspect of the global energy system against a backdrop of geopolitical tensions and

*world energy outlook 2023 analysis iea* - Feb 16 2022

web summary of key changes to ncu s member ncu gov summary of key final changes to ncu s member business loan rule 1 summary of key changes to

chapter 16 net worth and other equity accounts - Jun 22 2022

web jan 31 2021 ncu insured institution a finance institution that is a participant of the national credit union administration ncu program most ncu insured institutions

*general ledger national credit union administration* - Oct 27 2022

web table of contents page ii may 2008 other examination areas 300 chapter 301 management chapter 302 profitability chapter 303 information systems and

**quality control policy appendix 19a ncu** - Sep 25 2022

web the in page table of contents is available only when multiple sections are being viewed use the navigation links in the gray bar above to view the table of contents that this

**table of contents ncu homepage pdf4pro com** - Jan 18 2022

web table of contents national credit union ncu gov supervisory committee guide change 1 table of contents continued chapter 4 what are our

**table of contents ncu homepage pdf4pro com** - Dec 17 2021

web 13 hours ago table of contents in this article jump to today s best cd rates short term vs long term cds federal deposit insurance look for an fdic insured bank or

*manuals and guides ncu* - Oct 07 2023

web feb 14 2023 manuals and guides these manuals provide guidance to better comply with the ncu s rules and regulations and those from other agencies these manual are not definitive and must be used in conjunction with other supervisory guidance and

**chapter 24 examiners guide ncu** - Aug 05 2023

web table of contents risk focused program scope development and planning

**what is ncu mycreditunion gov** - Jul 24 2022

web table of contents net worth and other equity accounts examination objectives

table of contents ncu secure4 khronos - Sep 13 2021

web nov 6 2023 did you miss any of the action from ycs richmond you can revisit it all with this table of contents written feature matches round 1 feature match bobby kenny

yu gi oh tcg event coverage ycs richmond table of - Aug 13 2021

web oct 26 2023 the draft budget has also been submitted for publication in the federal register and the comment period is open until november 21 the proposed combined

*table of contents ncu* - Nov 27 2022

web 7 3n3 4ka chapter 8 general ledger examination objectives evaluate adequacy of policies practices procedures and internal controls regarding financial transactions

*national credit union administration ncu definition role* - Jun 03 2023

web national credit union administration 1775 duke st alexandria va 22314 3418 phone 703 518 6300 website

*ncua releases 2021 annual report ncua* - Jan 30 2023

web dec 28 2021 national credit union administration ncua an agency of the united states federal government that was created to monitor federal credit unions across the

**2022 ncua annual report** - May 02 2023

web aug 14 2023 total assets in federally insured credit unions rose by 82 billion or 3.8 percent over the year ending in the second quarter of 2023 to 2.22 trillion the ncua

**british safety council certificate in fire risk assessment** - Jul 21 2021

web this short course is for anyone who has to carry out fire risk assessments in the workplace perform your own fire risk assessments with confidence this will help you to protect your staff and business as well as comply with the law our fire risk assessment training is followed by an online assessment which leads to a certificate confirming

**iso 37000 2018 risk management** - Jan 07 2023

web implementing effective risk management supports quality and success and potentially the good of society iso 31000 defines risk as the effect of uncertainty on objectives this can include the organization's purpose vision and values as well as the goals and targets articulated at different levels in the organization

**free safety downloads safetyrisk net** - May 11 2023

web in 18 months over 2 million of our free safety resources have been downloaded the page is divided into categories like as4801 checklists forms and templates hazard alerts public safety work method statements risk assessment event safety and food safety to make it easier to find what you are looking for

**the risk matrix on apple podcasts** - Aug 22 2021

web sep 22 2023 7 episodes we aim to demystify the world of safety risk management and insurance by having informative discussions with industry experts episodes come in two varieties one is focused on providing informative content for small businesses the others are inside baseball episodes where we interview interesting people to discuss insuretech

chapter 4 safety risk management program - Apr 10 2023

web 4 risk management rm is the process that guides management decisions to a safer workplace c roles and responsibilities 1 directors shall ensure implementation of a safety risk management program that follows the guiding principles and the si risk management five step process that are fully addressed in attachment 1 and section

*workplace safety and health risk management regulations* - Jun 07 2020

web workplace safety and health risk management regulations rg 8 g n no s 141 2006 revised edition 2007 1st october 2007 1st september 2006 citation 1 these regulations may be cited as the workplace safety and health risk management

regulations definitions 2

**free safety and risk management downloads safetyrisk net** - Oct 04 2022

web jun 19 2013 this is our current list of free safety and risk management downloads these free downloads are for general information only and we accept no responsibility for the content compliance with any standards legislation or how you

**prevention and management of stress at work nhs employers** - May 19 2021

web may 25 2022 the health safety and wellbeing group hswg is a sub group of the nhs staff council it is a tripartite group involving staff side representatives from healthcare unions management side representatives from nhs organisations and specialist members such as the health and safety executive and the institute of occupational safety and

**safety change management template** - Dec 26 2021

web nov 16 2023 safety change management 8 step process for leading successful change keep your employees safe and engaged as they navigate organizational changes it s a thursday night in mid december and your distribution team is rushing to get trucks on their way before a winter storm hits mid shift the main forklift breaks down

*sector and industry specific services services kroll* - Oct 24 2021

web nov 10 2023 through kroll s nearly 50 years of risk management consulting one fact holds true across industries events crises and incidents planning saves lives whether planning for a security incident a major medical event or a personal matter of safety kroll s team of experts have the experience to support your organization and give your

**xtech innovation achieving speed while managing risks** - Apr 17 2021

web nov 16 2023 in a digital world no organization can thrive on its own and partnerships with xtechs offer powerful opportunities to innovate quickly although with some risk in this briefing the second in a series on xtechs we describe three mechanisms delegated decision making risk management and trust that help large organizations innovate

**code of practice on wsh risk management tal** - Sep 15 2023

web dec 1 2022 code of practice on wsh risk management 01 dec 2022 publications codes of practice english risk management download publication file size 1 81mb

*the 30 best risk management software of 2023 ntask* - Mar 29 2022

web dec 11 2022 risk assessment 11 predict360 by 360factors 11 on our list of the best risk management software is predict360 by 360factors this cloud based enterprise risk and compliance management technology specializes in the sectors of banking and financial services oil and gas and power and utility

**mid america pet food expands voluntary recall to include** - Jul 09 2020

web nov 9 2023 mid america pet food mount pleasant texas is expanding its october 30 2023 voluntary recall to include additional pet food products with best by dates before 10 31 24 made at its mount

**iso iso 31000 risk management** - Jan 27 2022

web iso 31000 risk management guidelines provides principles a framework and a process for managing risk it can be used by any organization regardless of its size activity or sector using iso 31000 can help organizations increase the likelihood of achieving objectives improve the identification of opportunities and threats and

**the uk ai safety summit opened a new chapter in ai diplomacy** - Dec 14 2020

web nov 9 2023 the result was a joint commitment by twenty eight governments and leading ai companies subjecting advanced ai models to a battery of safety tests before release as well as the announcement of a new uk based ai safety institute and a major push to support regular scientist led assessments of ai capabilities and safety risks

*next steps toward managing legacy medical device cybersecurity risks* - Jan 15 2021

web nov 15 2023 cybersecurity health next steps toward managing legacy medical device cybersecurity risks identifies near term solutions to address the challenges posed by legacy medical devices including considerations for adoption by less resourced healthcare delivery organizations such as rural providers and safety net hospitals over the past

risk management ministry of manpower - Oct 16 2023

web the workplace safety and health risk management regulations state that employers self employed persons and principals including contractors and sub contractors are responsible for identifying safety and health hazards at workplaces and taking measures to eliminate or reduce the risks for more information on the regulations see the following

**nptel management noc safety and risk analytics** - May 31 2022

web lecture 01 introduction to safety and risk management download to be verified 2 lecture 02 hazard triangle pdf unavailable 3 lecture 03 safety ontology download to be verified 4 lecture 04 qualitative risk assessment download to be verified 5 lecture 05 quantitative risk assessment download to be verified 6 lecture 06

**download free download safety and risk management** - Nov 24 2021

web download safety and risk management governance risk management and compliance may 27 2020 an expert s insider secrets to how successful ceos and directors shape lead and oversee their organizations to achieve corporate goals governance risk management and compliance shows senior executives and board

risk assessment management ministry of manpower singapore - Mar 09 2023

web risk recommended actions risk acceptability risk level high risk level must be reduced to min medium risk before work commences there should be no interim risk control measures risk controls not be too dependent on ppe hazard should be eliminated before work commences immediate management intervention is required before work

code of practice on tal - Nov 05 2022

web dec 1 2022 4 4 human resource manager 7 4 5 risk management and risk assessment leaders 7 4 6 employees 7 5



preparation 8 5 1 formation of risk management or risk assessment teams 8 5 2 extent of risk assessment determine what is to be assessed 9 5 3 gather relevant information 9 6 risk assessment 10 6 1

**enterprise risk management policy and framework 2023 24** - Sep 22 2021

web the risk management process can be applied to decisions at all levels within the ipc risk management involves the identification and treatment of risks that impact on the ipc s strategies regulatory objectives and operations the process to be followed is based on the australian standard on risk management as nzs iso 31000 2018

**risk management services audit no 2306 city of scottsdale** - Feb 13 2021

web nov 14 2023 the audit found that identification of safety risk exposures could be improved by formalizing a facility inspection program and more comprehensive reviews of job hazards improvements to workers compensation claims emergency planning and employee engagement could strengthen employee safety programs additionally data

*health and safety risk management 5th edition routledge* - Sep 03 2022

web description health and safety risk management is the clearest and most comprehensive book on risk management available today this newly revised fifth edition takes into account new developments in legislation standards and good practice

**e books health and safety risk management 5th edition** - Jun 12 2023

web the book is divided into four main parts part 1 1 begins with a basic introduction to the techniques of health and safety risk management and continues with a description of iso 45001 part 1 2 covers basic human factors including how the sense organs work and the psychology of the individual

risk management what is it and why it matters safetyculture - Feb 25 2022

web nov 11 2023 risk management is identifying assessing and controlling risks to an organization the goal of risk management is to protect the organization s assets including its people property and profits there are five key principles of risk management risk identification risk analysis

**risk management regulations guidelines ministry of** - Feb 08 2023

web a tool to identify osh hazards evaluate risk prioritize measures actions types of risk assessment quantitative gra qualitative hazop fmea jsa fault tree event tree risk matrix etc how to assess risk find it assess it

*workplace safety and health risk management regulations* - Aug 14 2023

web in the new framework for occupational safety and health in singapore one of the major means of reducing risks at the workplace is by making stakeholders accountable for managing the risks they create risk assessment is

workplace safety and health risk management regulations - Jul 13 2023

web workplace safety and health risk management regulations rg 8 g n no s 141 2006 revised edition 2007 1st october 2007

1st september 2006 citation 1 these regulations may be cited as the workplace safety and health risk management regulations definitions 2

**health and safety risk management tony boyle google books** - Dec 06 2022

web jan 10 2019 health and safety risk management is the clearest and most comprehensive book on risk management available today this newly revised fifth edition takes into account new developments in legislation standards and good practice iso 45001 the international health and safety management system standard is given

**national climate assessment 5 takeaways on the us climate** - Aug 10 2020

web nov 14 2023 the impacts of a rapidly warming climate are being felt in every corner of the us and will worsen over the next 10 years as planet warming pollution continues to rise according to a stark new

**pdf system safety and risk management researchgate** - Aug 02 2022

web mar 1 1998 risk management and insurance risk management system safety and risk management authors rodney simmons uae ministry of education pat l clemens abstract system safety provides many

**proposed special review decision for fosetyl aluminum and** - Sep 10 2020

web nov 14 2023 this step includes both risk or value if applicable assessment and risk management to address the concerns identified health canada s approach to risk and value assessment as well as risk management is outlined in the framework for risk assessment and risk management of pest control products footnote 1

**free safety and risk management downloads safetyrisk net** - Jul 01 2022

web free safety and risk management downloads these free safety downloads are for general information only and we accept no responsibility for the content compliance with any standards legislation or how you choose to use or modify them

*workers compensation insurance broking risk management* - Mar 17 2021

web mar 29 2023 workers compensation workers compensation insurance provides coverage for medical expenses lost wages and more in the event of an on the job injury or death as it s required in most us states and can be a major expense companies can turn to marsh for innovative solutions contact us overview

sit s approach to safety and risk management - Jun 19 2021

web nov 15 2023 read more about health safety well being on sit study abroad programs sit carefully balances immersive learning with student safety and security our unique program structure envelops students in trusted local communities grounds them in the local culture and helps them navigate their new surroundings while away students have

temple street managers gave warning about surgeon s - Oct 12 2020

web nov 13 2023 senior managers at temple street hospital called in a report compiled in august 2021 on children s health ireland to address the personality behaviour and surgical competence of orthopaedic

**health and safety risk management researchgate** - Apr 29 2022

web jan 10 2019 the proposition of occupational health and safety management systems ohsas 18001 1999 was used to define hazards and the risk levels associated with the most frequent hazardous events were

redgate introduces automated test data management solution to - Nov 12 2020

web 22 hours ago redgate test data manager has been designed from the ground up to optimize every aspect of tdm and address the challenges dbas and developers face every day across the four most popular databases

**der homo oeconomicus und seine vorurteile eine analyse des** - Mar 16 2023

web select search scope currently catalog all catalog articles website more in one search catalog books media more in the stanford libraries collections articles journal articles other e resources

**downloadable free pdfs der homo oeconomicus und seine vorurteile eine an** - Apr 05 2022

web der ablehnung wir nehmen sie deutlicher als hinweise auf vorurteile und fremdenfeindlichkeit wahr aber worin bestehen genau die vorurteile und die ablehnung welche funktion haben sie handelt es sich um individuelle vorurteile oder liegt eine form des gesellschaftlichen rassismus vor durch welche faktoren werden sie aktiviert

vor und nachteile beim homo oeconomicus gutefrage - Mar 04 2022

web nov 22 2012 1 antwort das problem ist dass der homo oeconomicus nicht einheitlich definiert und in seiner bedeutung abgegrenzt ist er ist ursprünglich ein künstliches konstrukt um marktentscheidungen transparenter zu machen als künstliche vergleichsbasis zu realen ergebnissen um ergebnisabweichungen mit abweichungen von den

*der homo oeconomicus und seine vorurteile eine analyse des* - Jan 14 2023

web der homo oeconomicus und seine vorurteile eine analyse des zivilrechtlichen benachteiligungsverbotschriften zum europäischen und internationalen privat bank und wirtschaftsrecht 50 band 50 watzenberg anja isbn 9783110342574 kostenloser versand für alle bücher mit versand und verkauf duch amazon

downloadable free pdfs der homo oeconomicus und seine vorurteile eine an - Aug 09 2022

web der homo oeconomicus und seine vorurteile eine an homo oeconomicus oder homo culturalis aktuelle herausforderungen für das ordoliberalen menschenbild homo oeconomicus vs homo culturalis mar 06 2022 wie lässt sich das anthropologische fundament des ordoliberalismus und der sozialen marktwirtschaft beschreiben

**homo oeconomicus definition beispiele und kritik** - Sep 10 2022

web der homo oeconomicus oder auch homo Ökonomikus ist ein modell des rationalen nutzenmaximierers welches in den wirtschaftswissenschaften genutzt wird um wirtschaftliche zusammenhänge theoretisch erklären zu können und diese besser zu verstehen er wird oft als grundlage für viele wirtschaftsmodelle genutzt

der homo oeconomicus und seine vorurteile eine analyse des - Jul 20 2023

web semantic scholar extracted view of der homo oeconomicus und seine vorurteile eine analyse des zivilrechtlichen benachteiligungsverbots by anja watzenberg

*der homo oeconomicus und seine vorurteile eine an* - Nov 12 2022

web der homo oeconomicus und seine vorurteile eine an stereotype und vorurteile eine untersuchung zum deutschlandbild schwedischer studenten may 07 2023 magisterarbeit aus dem jahr 2009 im fachbereich skandinavistik note 2 1 universität hamburg sprache deutsch abstract diese arbeit behandelt

der homo oeconomicus und seine vorurteile eine an - Aug 21 2023

web bestimmtes basismodell des menschen mit sich der homo oeconomicus dabei bezieht sich dieses modell nicht nur auf den wähler und die politik sondern auf sämtliche lebensbereiche in denen man entscheidungen treffen muss die arbeit erklärt das basismodell des homo oeconomicus und seine attribute schließlich geht es um die

**der homo oeconomicus und seine vorurteile eine analyse des** - Apr 17 2023

web ob ein zivilrechtlichesbenachteiligungsverbot auch normativ geboten und sinnvoll ist wird imletzten teil der arbeit erörtert der untersuchungsgegenstand ist hierbei der zivilrechtlicheregelungsbereich des agg und die zugrunde liegenden individuellenentscheidungen

**der homo oeconomicus und seine vorurteile eine analyse des** - Jun 19 2023

web der homo oeconomicus und seine vorurteile eine analyse des zivilrechtlichen benachteiligungsverbots anja watzenberg walter de gruyter gmbh co kg aug 19 2014 law 392 pages

**der homo oeconomicus und seine vorurteile eine analyse des** - May 18 2023

web writings pertaining to european and international private banking and commercial law europeanization and internationalization challenge the realm of jurisprudence to an extraordinary degree the division in special fields and the relationship with other social sciences necessitate critical reevaluation in view of many interactions cross references

**der homo oeconomicus und seine vorurteile eine analyse des** - Feb 15 2023

web der homo oeconomicus und seine vorurteile eine analyse des zivilrechtlichen benachteiligungsverbots anja watzenberg walter de gruyter incorporated jan 31 2014 civil law

*der homo oeconomicus und seine vorurteile de gruyter* - Sep 22 2023

web jan 31 2014 diese arbeit untersucht in positiver hinsicht diskriminierende entscheidungen und geht der frage nach ob und wie das vertragsrecht in diese entscheidungen eingreifen kann ob ein zivilrechtliches benachteiligungsverbot auch normativ geboten und sinnvoll ist wird im letzten teil der arbeit er 246 rtert der untersuchungsgegenstand ist hierbei

**der homo oeconomicus und seine vorurteile eine an copy** - Jul 08 2022

web der homo oeconomicus und seine vorurteile mar 23 2023 diese arbeit untersucht in positiver hinsicht diskriminierende

entscheidungen und geht der frage nach ob und wie das vertragsrecht in diese entscheidungen eingreifen kann ob ein zivilrechtliches benachteiligungsverbot auch normativ geboten und sinnvoll ist wird im letzten

**der homo oeconomicus und seine vorurteile de gruyter** - Oct 23 2023

web jan 31 2014 der homo oeconomicus und seine vorurteile eine analyse des zivilrechtlichen benachteiligungsverbots homo economicus and his prejudices anja watzenberg volume 50 in the series schriften zum europäischen und internationalen privat bank und wirtschaftsrecht doi org 10 1515 9783110342796 cite this

**homo oeconomicus definition modell merkmale studysmarter** - Oct 11 2022

web homo oeconomicus modell vom handeln des menschen nach dieser theorie trifft der mensch seine entscheidungen stets rational und zum eigenen vorteil die wichtigsten eigenschaften des modells sind rationalität nutzenmaximierung vollständige marktinformation und festgelegte präferenzen

**pdf der homo oeconomicus und seine vorurteile eine an** - May 06 2022

web der homo oeconomicus und seine vorurteile eine an stereotype und vorurteile eine untersuchung zum deutschlandbild schwedischer studenten aug 16 2023 magisterarbeit aus dem jahr 2009 im fachbereich skandinavistik note 2 1 universität hamburg sprache deutsch abstract diese arbeit behandelt

*kommentar zeit für eine renaissance der kartellwächter* - Jun 07 2022

web nov 19 2023 zeit für eine renaissance der kartellwächter harte wettbewerbskontrolle bis hin zur zerschlagung von marktbeherrschenden unternehmen hat sich früher bewährt und steht auch heute wieder an

**der homo oeconomicus und seine vorurteile orell füssli** - Dec 13 2022

web zur artikeldetailseite von der homo oeconomicus und seine vorurteile epub walter de gruyter fr 140 90 sofort per download lieferbar versandfertig innert 1 2 wochen vollharmonisierung und europäisches privatrecht von anne christin mittwoch präzedenzwirkung internationaler schiedssprüche von valériane könig