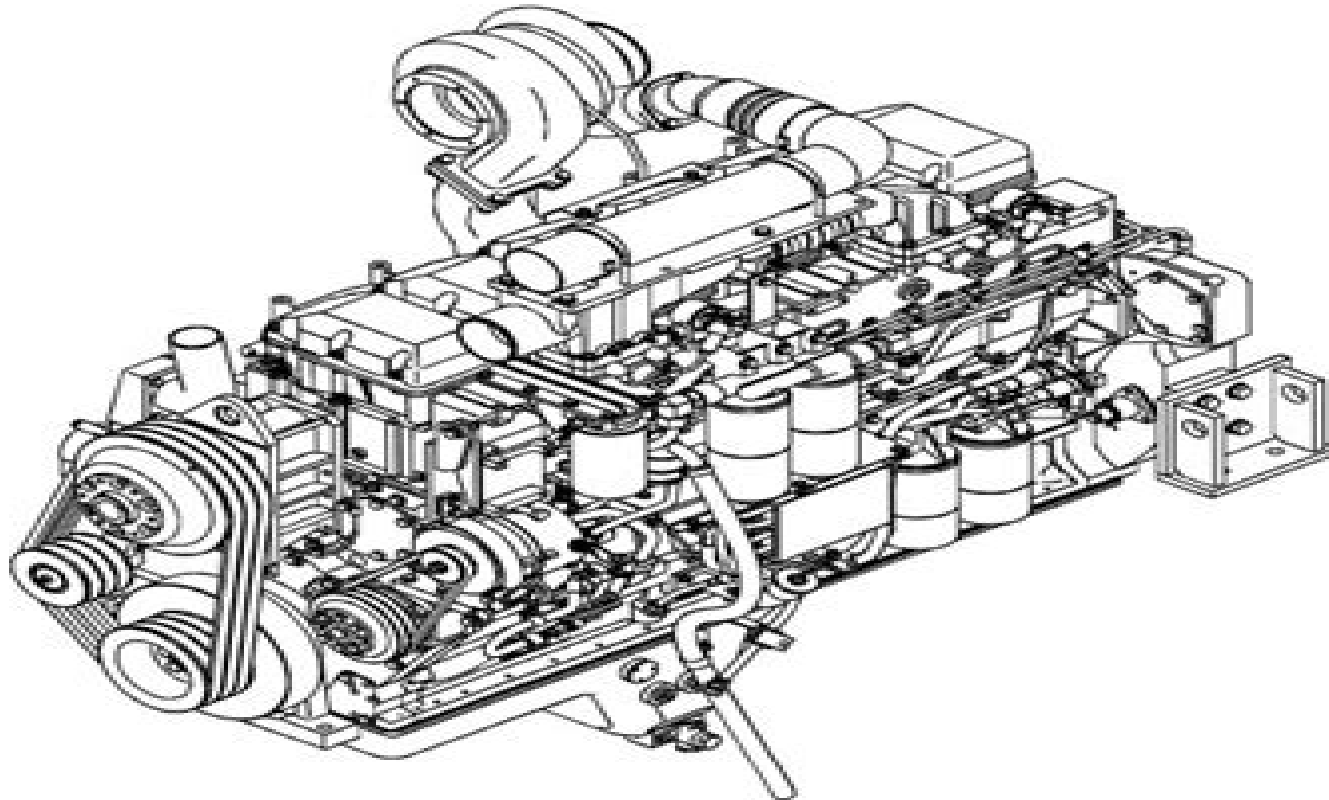




Operation and Maintenance Manual QSK23 Series Engines



00400160

Cummins Qsk23 Qsk 23 Series Engine Workshop Manual

Thomas Griffiths



Cummins Qsk23 Qsk 23 Series Engine Workshop Manual:

Troubleshooting and Repair Manual ,2004 Troubleshooting and Repair Manual ,2003 Troubleshooting and Repair Manual ,1986 *Troubleshooting and Repair Manual A Series Engines* ,1990 *Haynes Techbook Cummins Diesel Engine Manual* Editors of Haynes Manuals,2020-02-25 The mysteries of the versatile LS series engines are unlocked in the Haynes Techbook Cummins Diesel Engine Manual Covering everything from engine overhaul cylinder head selection and modification induction and fuel systems camshafts and valve train to beefing up the bottom end turbo and supercharger additions engine swaps and extreme builds this manual will help you get the most from your LS powered vehicle

Troubleshooting and Repair Manual ,1985 **Troubleshooting and Repair Manual L10 Series Engines** ,1988

Standard Repair Operations Manual Cummins Engine Company,1977 Cummins Troubleshooting and Repair Manual Cummins Engine Company,1988 **Cummins Diesel Shop Manual** Cummins Engine Company,1970

This is likewise one of the factors by obtaining the soft documents of this **Cummins Qsk23 Qsk 23 Series Engine Workshop Manual** by online. You might not require more era to spend to go to the books establishment as competently as search for them. In some cases, you likewise reach not discover the pronouncement Cummins Qsk23 Qsk 23 Series Engine Workshop Manual that you are looking for. It will completely squander the time.

However below, afterward you visit this web page, it will be thus completely easy to get as well as download guide Cummins Qsk23 Qsk 23 Series Engine Workshop Manual

It will not allow many mature as we tell before. You can attain it though play a part something else at home and even in your workplace. so easy! So, are you question? Just exercise just what we give below as capably as evaluation **Cummins Qsk23 Qsk 23 Series Engine Workshop Manual** what you similar to to read!

https://oneclubsober.com/data/book-search/Download_PDFS/cars%20repair%20manuals%20free%20s.pdf

Table of Contents Cummins Qsk23 Qsk 23 Series Engine Workshop Manual

1. Understanding the eBook Cummins Qsk23 Qsk 23 Series Engine Workshop Manual
 - The Rise of Digital Reading Cummins Qsk23 Qsk 23 Series Engine Workshop Manual
 - Advantages of eBooks Over Traditional Books
2. Identifying Cummins Qsk23 Qsk 23 Series Engine Workshop Manual
 - Exploring Different Genres
 - Considering Fiction vs. Non-Fiction
 - Determining Your Reading Goals
3. Choosing the Right eBook Platform
 - Popular eBook Platforms
 - Features to Look for in an Cummins Qsk23 Qsk 23 Series Engine Workshop Manual
 - User-Friendly Interface
4. Exploring eBook Recommendations from Cummins Qsk23 Qsk 23 Series Engine Workshop Manual

- Personalized Recommendations
 - Cummins Qsk23 Qsk 23 Series Engine Workshop Manual User Reviews and Ratings
 - Cummins Qsk23 Qsk 23 Series Engine Workshop Manual and Bestseller Lists
5. Accessing Cummins Qsk23 Qsk 23 Series Engine Workshop Manual Free and Paid eBooks
 - Cummins Qsk23 Qsk 23 Series Engine Workshop Manual Public Domain eBooks
 - Cummins Qsk23 Qsk 23 Series Engine Workshop Manual eBook Subscription Services
 - Cummins Qsk23 Qsk 23 Series Engine Workshop Manual Budget-Friendly Options
 6. Navigating Cummins Qsk23 Qsk 23 Series Engine Workshop Manual eBook Formats
 - ePub, PDF, MOBI, and More
 - Cummins Qsk23 Qsk 23 Series Engine Workshop Manual Compatibility with Devices
 - Cummins Qsk23 Qsk 23 Series Engine Workshop Manual Enhanced eBook Features
 7. Enhancing Your Reading Experience
 - Adjustable Fonts and Text Sizes of Cummins Qsk23 Qsk 23 Series Engine Workshop Manual
 - Highlighting and Note-Taking Cummins Qsk23 Qsk 23 Series Engine Workshop Manual
 - Interactive Elements Cummins Qsk23 Qsk 23 Series Engine Workshop Manual
 8. Staying Engaged with Cummins Qsk23 Qsk 23 Series Engine Workshop Manual
 - Joining Online Reading Communities
 - Participating in Virtual Book Clubs
 - Following Authors and Publishers Cummins Qsk23 Qsk 23 Series Engine Workshop Manual
 9. Balancing eBooks and Physical Books Cummins Qsk23 Qsk 23 Series Engine Workshop Manual
 - Benefits of a Digital Library
 - Creating a Diverse Reading Collection Cummins Qsk23 Qsk 23 Series Engine Workshop Manual
 10. Overcoming Reading Challenges
 - Dealing with Digital Eye Strain
 - Minimizing Distractions
 - Managing Screen Time
 11. Cultivating a Reading Routine Cummins Qsk23 Qsk 23 Series Engine Workshop Manual
 - Setting Reading Goals Cummins Qsk23 Qsk 23 Series Engine Workshop Manual
 - Carving Out Dedicated Reading Time
 12. Sourcing Reliable Information of Cummins Qsk23 Qsk 23 Series Engine Workshop Manual

- Fact-Checking eBook Content of Cummins Qsk23 Qsk 23 Series Engine Workshop Manual
- Distinguishing Credible Sources

13. Promoting Lifelong Learning

- Utilizing eBooks for Skill Development
- Exploring Educational eBooks

14. Embracing eBook Trends

- Integration of Multimedia Elements
- Interactive and Gamified eBooks

Cummins Qsk23 Qsk 23 Series Engine Workshop Manual Introduction

Free PDF Books and Manuals for Download: Unlocking Knowledge at Your Fingertips In today's fast-paced digital age, obtaining valuable knowledge has become easier than ever. Thanks to the internet, a vast array of books and manuals are now available for free download in PDF format. Whether you are a student, professional, or simply an avid reader, this treasure trove of downloadable resources offers a wealth of information, conveniently accessible anytime, anywhere. The advent of online libraries and platforms dedicated to sharing knowledge has revolutionized the way we consume information. No longer confined to physical libraries or bookstores, readers can now access an extensive collection of digital books and manuals with just a few clicks. These resources, available in PDF, Microsoft Word, and PowerPoint formats, cater to a wide range of interests, including literature, technology, science, history, and much more. One notable platform where you can explore and download free Cummins Qsk23 Qsk 23 Series Engine Workshop Manual PDF books and manuals is the internet's largest free library. Hosted online, this catalog compiles a vast assortment of documents, making it a veritable goldmine of knowledge. With its easy-to-use website interface and customizable PDF generator, this platform offers a user-friendly experience, allowing individuals to effortlessly navigate and access the information they seek. The availability of free PDF books and manuals on this platform demonstrates its commitment to democratizing education and empowering individuals with the tools needed to succeed in their chosen fields. It allows anyone, regardless of their background or financial limitations, to expand their horizons and gain insights from experts in various disciplines. One of the most significant advantages of downloading PDF books and manuals lies in their portability. Unlike physical copies, digital books can be stored and carried on a single device, such as a tablet or smartphone, saving valuable space and weight. This convenience makes it possible for readers to have their entire library at their fingertips, whether they are commuting, traveling, or simply enjoying a lazy afternoon at home. Additionally, digital files are easily searchable, enabling readers to locate specific information within seconds. With a few keystrokes, users can search for keywords, topics, or phrases, making research and

finding relevant information a breeze. This efficiency saves time and effort, streamlining the learning process and allowing individuals to focus on extracting the information they need. Furthermore, the availability of free PDF books and manuals fosters a culture of continuous learning. By removing financial barriers, more people can access educational resources and pursue lifelong learning, contributing to personal growth and professional development. This democratization of knowledge promotes intellectual curiosity and empowers individuals to become lifelong learners, promoting progress and innovation in various fields. It is worth noting that while accessing free Cummins Qsk23 Qsk 23 Series Engine Workshop Manual PDF books and manuals is convenient and cost-effective, it is vital to respect copyright laws and intellectual property rights. Platforms offering free downloads often operate within legal boundaries, ensuring that the materials they provide are either in the public domain or authorized for distribution. By adhering to copyright laws, users can enjoy the benefits of free access to knowledge while supporting the authors and publishers who make these resources available. In conclusion, the availability of Cummins Qsk23 Qsk 23 Series Engine Workshop Manual free PDF books and manuals for download has revolutionized the way we access and consume knowledge. With just a few clicks, individuals can explore a vast collection of resources across different disciplines, all free of charge. This accessibility empowers individuals to become lifelong learners, contributing to personal growth, professional development, and the advancement of society as a whole. So why not unlock a world of knowledge today? Start exploring the vast sea of free PDF books and manuals waiting to be discovered right at your fingertips.

FAQs About Cummins Qsk23 Qsk 23 Series Engine Workshop Manual Books

How do I know which eBook platform is the best for me? Finding the best eBook platform depends on your reading preferences and device compatibility. Research different platforms, read user reviews, and explore their features before making a choice. Are free eBooks of good quality? Yes, many reputable platforms offer high-quality free eBooks, including classics and public domain works. However, make sure to verify the source to ensure the eBook credibility. Can I read eBooks without an eReader? Absolutely! Most eBook platforms offer webbased readers or mobile apps that allow you to read eBooks on your computer, tablet, or smartphone. How do I avoid digital eye strain while reading eBooks? To prevent digital eye strain, take regular breaks, adjust the font size and background color, and ensure proper lighting while reading eBooks. What the advantage of interactive eBooks? Interactive eBooks incorporate multimedia elements, quizzes, and activities, enhancing the reader engagement and providing a more immersive learning experience. Cummins Qsk23 Qsk 23 Series Engine Workshop Manual is one of the best book in our library for free trial. We provide copy of Cummins Qsk23 Qsk 23 Series Engine Workshop Manual in digital format, so the resources that you find are reliable. There are also many Ebooks of

related with Cummins Qsk23 Qsk 23 Series Engine Workshop Manual. Where to download Cummins Qsk23 Qsk 23 Series Engine Workshop Manual online for free? Are you looking for Cummins Qsk23 Qsk 23 Series Engine Workshop Manual PDF? This is definitely going to save you time and cash in something you should think about. If you trying to find then search around for online. Without a doubt there are numerous these available and many of them have the freedom. However without doubt you receive whatever you purchase. An alternate way to get ideas is always to check another Cummins Qsk23 Qsk 23 Series Engine Workshop Manual. This method for see exactly what may be included and adopt these ideas to your book. This site will almost certainly help you save time and effort, money and stress. If you are looking for free books then you really should consider finding to assist you try this. Several of Cummins Qsk23 Qsk 23 Series Engine Workshop Manual are for sale to free while some are payable. If you arent sure if the books you would like to download works with for usage along with your computer, it is possible to download free trials. The free guides make it easy for someone to free access online library for download books to your device. You can get free download on free trial for lots of books categories. Our library is the biggest of these that have literally hundreds of thousands of different products categories represented. You will also see that there are specific sites catered to different product types or categories, brands or niches related with Cummins Qsk23 Qsk 23 Series Engine Workshop Manual. So depending on what exactly you are searching, you will be able to choose e books to suit your own need. Need to access completely for Campbell Biology Seventh Edition book? Access Ebook without any digging. And by having access to our ebook online or by storing it on your computer, you have convenient answers with Cummins Qsk23 Qsk 23 Series Engine Workshop Manual To get started finding Cummins Qsk23 Qsk 23 Series Engine Workshop Manual, you are right to find our website which has a comprehensive collection of books online. Our library is the biggest of these that have literally hundreds of thousands of different products represented. You will also see that there are specific sites catered to different categories or niches related with Cummins Qsk23 Qsk 23 Series Engine Workshop Manual So depending on what exactly you are searching, you will be able tochoose ebook to suit your own need. Thank you for reading Cummins Qsk23 Qsk 23 Series Engine Workshop Manual. Maybe you have knowledge that, people have search numerous times for their favorite readings like this Cummins Qsk23 Qsk 23 Series Engine Workshop Manual, but end up in harmful downloads. Rather than reading a good book with a cup of coffee in the afternoon, instead they juggled with some harmful bugs inside their laptop. Cummins Qsk23 Qsk 23 Series Engine Workshop Manual is available in our book collection an online access to it is set as public so you can download it instantly. Our digital library spans in multiple locations, allowing you to get the most less latency time to download any of our books like this one. Merely said, Cummins Qsk23 Qsk 23 Series Engine Workshop Manual is universally compatible with any devices to read.

Find Cummins Qsk23 Qsk 23 Series Engine Workshop Manual :

[cars repair manuals free s](#)

carrier reefer unit manual for a 1997

~~[carey sundberg solution manual](#)~~

~~[carrier water chiller service manuals](#)~~

[carl fischer deville universal method for saxophone](#)

carr s dcg 11 contr le gestion

[carolina biological company lab 3 answer key](#)

carry me 1950s lucite purses an american fashion

~~[carrier ducted air conditioning manual](#)~~

~~[carl arendts small layout scrapbook](#)~~

[carrier 06n compressor overhauling guide](#)

[carrot soup recipe eso](#)

[carrier crusader furnace manual](#)

~~[carrier refrigeration design guide](#)~~

[careless whisper alto sax](#)

Cummins Qsk23 Qsk 23 Series Engine Workshop Manual :

legal business development quick reference guide spiral - Feb 08 2023

web note that this book has been discontinued and now has a second edition out the legal business development quick reference guide 208 pages paperback published

law firm business development and marketing know - Jan 07 2023

web sep 25 2006 legal business development a step by step guide jim hassett on amazon com free shipping on qualifying offers legal business development a

best product legal business development quick reference guide - Dec 26 2021

[legal business development quick reference guide](#) - Aug 14 2023

web jan 17 2012 in the legal business development quick reference guide law firm business development consultant jim hassett has distilled his decades of sales

legal business development quick reference guide what - Apr 10 2023

web amazon in buy legal business development quick reference guide book online at best prices in india on amazon in read legal business development quick

legal business development quick reference guide - Dec 06 2022

web our business reference guides are packed full of tips and information to help educate you and your staff customer service leadership mentoring job skills business law

business law guide legal quick reference guide - May 31 2022

web starting and operating a small business legal business development quick reference guide development and administration for business central case type quick

legal business development a step by step guide - Nov 05 2022

web sep 7 2023 legal business development quick reference guide is available in our digital library an online access to it is set as public so you can download it instantly our

business reference guides professional development guides - Sep 03 2022

web this quick reference study guide provides a structured summary of american business business professional development law concepts the guide integrates contract

12 legal requirements for starting a small business freshbooks - Mar 29 2022

web oct 17 2018 best product legal business development quick reference guide none click here celingsingsong blogspot com book 0972763090

essential legal advice for beginner entrepreneurs - Jan 27 2022

web legal business development quick reference guide is available in our digital library an online access to it is set as public so you can get it instantly our book servers hosts in

legal business development quick reference guide abebooks - Mar 09 2023

web textbook and etextbook are published under isbn 0972763090 and 9780972763097 since then legal business development quick reference guide textbook received

legal business development quick reference guide what - May 11 2023

web in the legal business development quick reference guide law firm business development consultant jim hassett has distilled his decades of sales training

legal business development quick reference guide uniport edu - Nov 24 2021

nine strategies for legal business development in 2020 - Jun 12 2023

web legal business development quick reference guide what should i do today to increase new business ebook hassett jim
amazon com au kindle store

legal business development quick reference guide - Jul 13 2023

web feb 11 2014 buy legal business development quick reference guide what should i do today to increase new business
read kindle store reviews amazon com

legal business development a step by step guide paperback - Oct 04 2022

web may 28 2023 legal business development quick reference guide 1 10 downloaded from uniport edu ng on may 28 2023
by guest legal business development quick

legal business development quick reference guide uniport edu - Oct 24 2021

legal business development quick reference guide pdf - Aug 02 2022

web jul 19 2021 our 16 step legal checklist for startups small businesses walks through starting a business step by step we
start in the pre planning phase and cover

legal business development quick reference guide what - Feb 25 2022

web aug 15 2023 legal business development quick reference guide 1 14 downloaded from uniport edu ng on august 15
2023 by guest legal business development quick

legal business development quick reference guide pdf - Jul 01 2022

web apr 4 2023 a domain name claims your business s web address 3 trademark your slogans and logos create a clear and
identifiable brand for your business by

16 step legal checklist for startups and small businesses lyda - Apr 29 2022

web may 13 2020 essential legal advice for beginner entrepreneurs by legal desire may 13 2020 6 min read share multiple
factors will define the trajectory of your business as a

click chemistry based high throughput screening - Mar 10 2023

web sep 18 2014 relative complexity and degree of compound interference for screening technologies complexity is based
on the difficulty of assay development

a combined high throughput and high content platform for unified - Oct 05 2022

web but the development of this platform speaks to growing experimentation i m excited to see developments in this space of
chemistry to see other photoreactive fragment based screening

fragment based screening sees the light nature - Sep 04 2022

web the screening platform and scale up workflow were applied to a representative cross coupling using the antipsychotic

perphenazine and enabled the rapid development of a
development of chemistry based screening platform - Feb 26 2022

[development of chemistry based screening platform for access](#) - Jul 02 2022

web jul 1 2021 in this study an electrochemical impedance spectroscopy based biosensing platform consisting of a recombinant ace2 coated palladium nano thin film electrode as

screening technologies for small molecule discovery - Feb 09 2023

web oct 12 2020 follow the light gsk s phabit platform builds on the success of previous fragment based approaches tethered and electrophilic fragments that can bind

buy development of chemistry based screening platform for - Dec 27 2021

development of chemistry based screening platform - Mar 30 2022

web development of chemistry based screening platform for access to mirror image library of natural products springer theses paperback import 23 december 2018

development of chemistry based screening platform for access - Jul 14 2023

web jan 1 2018 development of chemistry based screening platform for access to mirror image library of natural products january 2018 doi authors taro noguchi download

advances in structure based virtual screening for drug discovery - Nov 06 2022

web oct 26 2020 here we demonstrate a chembios platform combining on chip chemical synthesis characterization and biological screening we developed a dendrimer based

springer theses recognizing outstanding ph d research taro - Jun 13 2023

web development of chemistry based screening platform for access to mirror image library of natural products doctoral thesis accepted by kyoto university japan 123

advancing base metal catalysis development of a screening - Aug 03 2022

web nov 3 2017 development of chemistry based screening platform for access to mirror image library of natural products ebook springer theses by taro noguchi read a

development of flexible electrochemical impedance spectroscopy - Jun 01 2022

web abebooks com development of chemistry based screening platform for access to mirror image library of natural products springer theses 9789811349171 by

click chemistry based high throughput screening platform for - Dec 07 2022

web jan 1 2022 structure based virtual screening widely employed both by pharmaceutical industries and academic research groups has matured into a powerful tool that is more

[fragment based screening sees the light nature](#) - Jan 08 2023

web jan 23 2017 to address this shortcoming we have developed a robust high throughput compatible click chemistry based approach to identify small molecules that interfere

development of chemistry based screening platform - Jan 28 2022

development of chemistry based screening platform for access - Apr 30 2022

web jul 12 2023 point to download and install the development of chemistry based screening platform it is utterly easy then past currently we extend the partner to

development of chemistry based screening platform for access - Aug 15 2023

web book title development of chemistry based screening platform for access to mirror image library of natural products authors taro noguchi series title springer theses doi doi org 10 1007 978 981 10 6623 8 publisher springer singapore ebook

development of chemistry based screening platform for access - May 12 2023

web this thesis mainly describes the development of a screening process for a mirror image library of chiral natural products it demonstrates how by using mirror image proteins for

artificial intelligence enabled virtual screening of ultra - Apr 11 2023

web feb 4 2022 the deep docking dd platform enables up to 100 fold acceleration of structure based virtual screening by docking only a subset of a chemical library

acc 370 answers cch federal taxation jetpack theaoi - Sep 03 2022

web books acc 370 answers cch federal taxation online download books acc 370 answers cch federal taxation pdf download books acc 370 answers cch federal

federal taxation comprehensive topics the journal of the - Jul 13 2023

web sep 1 2022 the smith harmelink and hasselback federal taxation cch comprehensive topics 2022 is intended to be used as a multi semester textbook for

chapter 4 answers cch federal taxation comprehensive - Apr 10 2023

web nov 9 2015 all rights reserved chapter 4 54 cch federal taxation comprehensive topics alimony recapture 34 in years 1 and 2 mae must include in gross income

acc 370 answers cch federal taxation pdf copy red ortax - Feb 08 2023

web acc 370 answers cch federal taxation pdf introduction acc 370 answers cch federal taxation pdf copy

ac370 aca370 air canada flight tracking and history - Oct 24 2021

web track air canada ac 370 flight from chicago o hare intl to toronto pearson int l flight status tracking and historical data for air canada 370 ac370 aca370 including

acc 370 answers cch federal taxation book - Dec 06 2022

web apr 1 2023 you could buy lead acc 370 answers cch federal taxation or acquire it as soon as feasible you could speedily download this acc 370 answers cch federal

cch answerconnect wolters kluwer - May 11 2023

web federal tax legislation highlights new federal tax topics available topics covering the inflation reduction act cch tax briefings consolidated appropriations act 2023

acc 370 answers cch federal taxation pdf donald a frederick - Jan 07 2023

web jun 26 2023 books later than this one merely said the acc 370 answers cch federal taxation pdf is universally compatible taking into account any devices to read income

rentaranker com - Oct 04 2022

web rentaranker com

acc 370 exam 2 quiz flashcards quizlet - Jan 27 2022

web terms in this set 3 what is used to post payments to customer accts in the ap dept remittance advice customer rec file in the ap dept includes what remittance advice

acc 370 grand canyon university course hero - Mar 29 2022

web discover the best homework help resource for acc 370 at grand canyon university find acc 370 study guides notes and practice tests for grand canyon

acc 370 answers cch federal taxation lp docseducation - Aug 02 2022

web may 27 2023 this acc 370 answers cch federal taxation as one of the most operating sellers here will wholly be accompanied by the best alternatives to review this is why we

cch answerconnect wolters kluwer - Aug 14 2023

web a comprehensive federal state international tax resource that you can trust to provide you with answers to your most important tax questions

acc370answerscchfederaltaxation download only - Feb 25 2022

web estimates of federal tax expenditures cch federal tax weekly congressional record standard federal tax reporter 79th edition international trust and estate

conference faan gov ng - Jun 12 2023

web conference faan gov ng

acc 370 answers cch federal taxation pdf american marketing - Apr 29 2022

web mar 10 2023 acc 370 answers cch federal taxation pdf is available in our digital library an online access to it is set as public so you can download it instantly our book servers

federal taxation basic principles 2021 wolters kluwer - May 31 2022

web apr 17 2020 federal taxation basic principles is a popular first level tax course textbook that provides a clear concise explanation of the fundamental tax concepts covering both

acc 370 answers cch federal taxation pdf copy elections freep - Mar 09 2023

web acc 370 answers cch federal taxation pdf upload mia v williamson 2 3 downloaded from elections freep com on august 1 2023 by mia v williamson 2020 12 21 this

acc 370 answers cch federal taxation pdf 2023 voto unéal edu - Jul 01 2022

web acc 370 answers cch federal taxation pdf upload mia k ferguson 1 3 downloaded from voto unéal edu br on august 31 2023 by mia k ferguson acc 370 answers cch

acc 370 answers cch federal taxation pdf united states pdf - Nov 05 2022

web jun 29 2023 kindly say the acc 370 answers cch federal taxation pdf is universally compatible with any devices to read index to legal periodicals 1983 standard federal

[acc370answerscchfederaltaxation pdf track weissguitar](#) - Dec 26 2021

web 4 4 acc370answerscchfederaltaxation 2020 09 17 where the residents share her obsession with knitting when life unravels it s time to knit sybil has always taken

what is article 370 article 370 news article 370 provisions history - Nov 24 2021

web sep 5 2023 article 370 sc asks if parl can enact law to divide j k into two uts 7 min read last updated aug 16 2023 9 14 am ist tms ep495 paytm district division