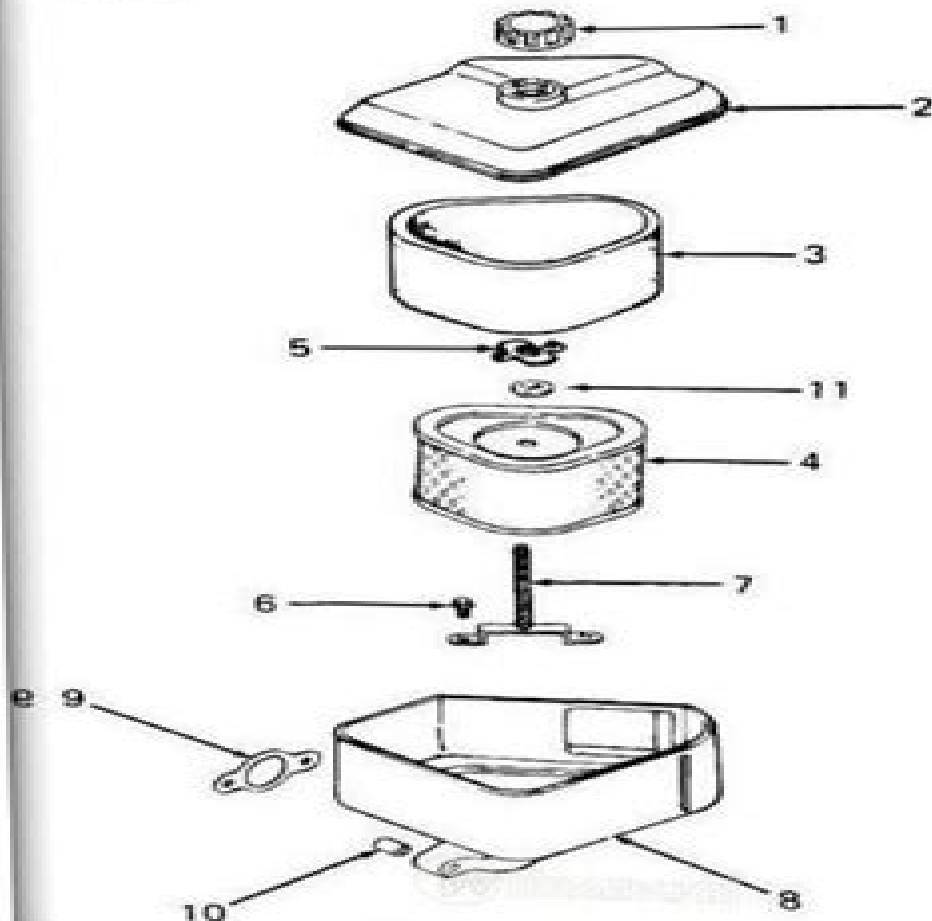


For Discount Cub Cadet Parts Call 606-678-9623 or 606-561-4983

Page 1 of 4

1330 S/N 207,401 - 239,300
Air Intake



www.mymowerparts.com

Cub Cadet 1330 Manual

CH Cherryholmes



Cub Cadet 1330 Manual:

The Top Books of the Year Cub Cadet 1330 Manual The year 2023 has witnessed a noteworthy surge in literary brilliance, with numerous compelling novels captivating the hearts of readers worldwide. Lets delve into the realm of popular books, exploring the captivating narratives that have captivated audiences this year. Cub Cadet 1330 Manual : Colleen Hoover "It Ends with Us" This heartfelt tale of love, loss, and resilience has gripped readers with its raw and emotional exploration of domestic abuse. Hoover skillfully weaves a story of hope and healing, reminding us that even in the darkest of times, the human spirit can triumph. Cub Cadet 1330 Manual : Taylor Jenkins Reids "The Seven Husbands of Evelyn Hugo" This spellbinding historical fiction novel unravels the life of Evelyn Hugo, a Hollywood icon who defies expectations and societal norms to pursue her dreams. Reids compelling storytelling and compelling characters transport readers to a bygone era, immersing them in a world of glamour, ambition, and self-discovery. Cub Cadet 1330 Manual : Delia Owens "Where the Crawdads Sing" This mesmerizing coming-of-age story follows Kya Clark, a young woman who grows up alone in the marshes of North Carolina. Owens weaves a tale of resilience, survival, and the transformative power of nature, captivating readers with its evocative prose and mesmerizing setting. These top-selling novels represent just a fraction of the literary treasures that have emerged in 2023. Whether you seek tales of romance, adventure, or personal growth, the world of literature offers an abundance of captivating stories waiting to be discovered. The novel begins with Richard Papen, a bright but troubled young man, arriving at Hampden College. Richard is immediately drawn to the group of students who call themselves the Classics Club. The club is led by Henry Winter, a brilliant and charismatic young man. Henry is obsessed with Greek mythology and philosophy, and he quickly draws Richard into his world. The other members of the Classics Club are equally as fascinating. Bunny Corcoran is a wealthy and spoiled young man who is always looking for a good time. Charles Tavis is a quiet and reserved young man who is deeply in love with Henry. Camilla Macaulay is a beautiful and intelligent young woman who is drawn to the power and danger of the Classics Club. The students are all deeply in love with Morrow, and they are willing to do anything to please him. Morrow is a complex and mysterious figure, and he seems to be manipulating the students for his own purposes. As the students become more involved with Morrow, they begin to commit increasingly dangerous acts. The Secret History is a masterful and thrilling novel that will keep you guessing until the very end. The novel is a warning tale about the dangers of obsession and the power of evil.

<https://oneclubsober.com/results/scholarship/index.jsp/die%20sarazenin%20historischer%20abenteuerliches%20frauenleben%20ebook.pdf>

Table of Contents Cub Cadet 1330 Manual

1. Understanding the eBook Cub Cadet 1330 Manual
 - The Rise of Digital Reading Cub Cadet 1330 Manual
 - Advantages of eBooks Over Traditional Books
2. Identifying Cub Cadet 1330 Manual
 - Exploring Different Genres
 - Considering Fiction vs. Non-Fiction
 - Determining Your Reading Goals
3. Choosing the Right eBook Platform
 - Popular eBook Platforms
 - Features to Look for in an Cub Cadet 1330 Manual
 - User-Friendly Interface
4. Exploring eBook Recommendations from Cub Cadet 1330 Manual
 - Personalized Recommendations
 - Cub Cadet 1330 Manual User Reviews and Ratings
 - Cub Cadet 1330 Manual and Bestseller Lists
5. Accessing Cub Cadet 1330 Manual Free and Paid eBooks
 - Cub Cadet 1330 Manual Public Domain eBooks
 - Cub Cadet 1330 Manual eBook Subscription Services
 - Cub Cadet 1330 Manual Budget-Friendly Options
6. Navigating Cub Cadet 1330 Manual eBook Formats
 - ePub, PDF, MOBI, and More
 - Cub Cadet 1330 Manual Compatibility with Devices
 - Cub Cadet 1330 Manual Enhanced eBook Features
7. Enhancing Your Reading Experience
 - Adjustable Fonts and Text Sizes of Cub Cadet 1330 Manual
 - Highlighting and Note-Taking Cub Cadet 1330 Manual
 - Interactive Elements Cub Cadet 1330 Manual
8. Staying Engaged with Cub Cadet 1330 Manual

- Joining Online Reading Communities
 - Participating in Virtual Book Clubs
 - Following Authors and Publishers Cub Cadet 1330 Manual
9. Balancing eBooks and Physical Books Cub Cadet 1330 Manual
- Benefits of a Digital Library
 - Creating a Diverse Reading Collection Cub Cadet 1330 Manual
10. Overcoming Reading Challenges
- Dealing with Digital Eye Strain
 - Minimizing Distractions
 - Managing Screen Time
11. Cultivating a Reading Routine Cub Cadet 1330 Manual
- Setting Reading Goals Cub Cadet 1330 Manual
 - Carving Out Dedicated Reading Time
12. Sourcing Reliable Information of Cub Cadet 1330 Manual
- Fact-Checking eBook Content of Cub Cadet 1330 Manual
 - Distinguishing Credible Sources
13. Promoting Lifelong Learning
- Utilizing eBooks for Skill Development
 - Exploring Educational eBooks
14. Embracing eBook Trends
- Integration of Multimedia Elements
 - Interactive and Gamified eBooks

Cub Cadet 1330 Manual Introduction

Free PDF Books and Manuals for Download: Unlocking Knowledge at Your Fingertips In today's fast-paced digital age, obtaining valuable knowledge has become easier than ever. Thanks to the internet, a vast array of books and manuals are now available for free download in PDF format. Whether you are a student, professional, or simply an avid reader, this treasure trove of downloadable resources offers a wealth of information, conveniently accessible anytime, anywhere. The advent of online libraries and platforms dedicated to sharing knowledge has revolutionized the way we consume information. No longer confined to physical libraries or bookstores, readers can now access an extensive collection of digital books and

manuals with just a few clicks. These resources, available in PDF, Microsoft Word, and PowerPoint formats, cater to a wide range of interests, including literature, technology, science, history, and much more. One notable platform where you can explore and download free Cub Cadet 1330 Manual PDF books and manuals is the internet's largest free library. Hosted online, this catalog compiles a vast assortment of documents, making it a veritable goldmine of knowledge. With its easy-to-use website interface and customizable PDF generator, this platform offers a user-friendly experience, allowing individuals to effortlessly navigate and access the information they seek. The availability of free PDF books and manuals on this platform demonstrates its commitment to democratizing education and empowering individuals with the tools needed to succeed in their chosen fields. It allows anyone, regardless of their background or financial limitations, to expand their horizons and gain insights from experts in various disciplines. One of the most significant advantages of downloading PDF books and manuals lies in their portability. Unlike physical copies, digital books can be stored and carried on a single device, such as a tablet or smartphone, saving valuable space and weight. This convenience makes it possible for readers to have their entire library at their fingertips, whether they are commuting, traveling, or simply enjoying a lazy afternoon at home. Additionally, digital files are easily searchable, enabling readers to locate specific information within seconds. With a few keystrokes, users can search for keywords, topics, or phrases, making research and finding relevant information a breeze. This efficiency saves time and effort, streamlining the learning process and allowing individuals to focus on extracting the information they need. Furthermore, the availability of free PDF books and manuals fosters a culture of continuous learning. By removing financial barriers, more people can access educational resources and pursue lifelong learning, contributing to personal growth and professional development. This democratization of knowledge promotes intellectual curiosity and empowers individuals to become lifelong learners, promoting progress and innovation in various fields. It is worth noting that while accessing free Cub Cadet 1330 Manual PDF books and manuals is convenient and cost-effective, it is vital to respect copyright laws and intellectual property rights. Platforms offering free downloads often operate within legal boundaries, ensuring that the materials they provide are either in the public domain or authorized for distribution. By adhering to copyright laws, users can enjoy the benefits of free access to knowledge while supporting the authors and publishers who make these resources available. In conclusion, the availability of Cub Cadet 1330 Manual free PDF books and manuals for download has revolutionized the way we access and consume knowledge. With just a few clicks, individuals can explore a vast collection of resources across different disciplines, all free of charge. This accessibility empowers individuals to become lifelong learners, contributing to personal growth, professional development, and the advancement of society as a whole. So why not unlock a world of knowledge today? Start exploring the vast sea of free PDF books and manuals waiting to be discovered right at your fingertips.

FAQs About Cub Cadet 1330 Manual Books

What is a Cub Cadet 1330 Manual PDF? A PDF (Portable Document Format) is a file format developed by Adobe that preserves the layout and formatting of a document, regardless of the software, hardware, or operating system used to view or print it. **How do I create a Cub Cadet 1330 Manual PDF?** There are several ways to create a PDF: Use software like Adobe Acrobat, Microsoft Word, or Google Docs, which often have built-in PDF creation tools. Print to PDF: Many applications and operating systems have a "Print to PDF" option that allows you to save a document as a PDF file instead of printing it on paper. Online converters: There are various online tools that can convert different file types to PDF. **How do I edit a Cub Cadet 1330 Manual PDF?** Editing a PDF can be done with software like Adobe Acrobat, which allows direct editing of text, images, and other elements within the PDF. Some free tools, like PDFescape or Smallpdf, also offer basic editing capabilities. **How do I convert a Cub Cadet 1330 Manual PDF to another file format?** There are multiple ways to convert a PDF to another format: Use online converters like Smallpdf, Zamzar, or Adobe Acrobats export feature to convert PDFs to formats like Word, Excel, JPEG, etc. Software like Adobe Acrobat, Microsoft Word, or other PDF editors may have options to export or save PDFs in different formats. **How do I password-protect a Cub Cadet 1330 Manual PDF?** Most PDF editing software allows you to add password protection. In Adobe Acrobat, for instance, you can go to "File" -> "Properties" -> "Security" to set a password to restrict access or editing capabilities. Are there any free alternatives to Adobe Acrobat for working with PDFs? Yes, there are many free alternatives for working with PDFs, such as: LibreOffice: Offers PDF editing features. PDFsam: Allows splitting, merging, and editing PDFs. Foxit Reader: Provides basic PDF viewing and editing capabilities. How do I compress a PDF file? You can use online tools like Smallpdf, ILovePDF, or desktop software like Adobe Acrobat to compress PDF files without significant quality loss. Compression reduces the file size, making it easier to share and download. Can I fill out forms in a PDF file? Yes, most PDF viewers/editors like Adobe Acrobat, Preview (on Mac), or various online tools allow you to fill out forms in PDF files by selecting text fields and entering information. Are there any restrictions when working with PDFs? Some PDFs might have restrictions set by their creator, such as password protection, editing restrictions, or print restrictions. Breaking these restrictions might require specific software or tools, which may or may not be legal depending on the circumstances and local laws.

Find Cub Cadet 1330 Manual :

[die sarazenin historischer abenteuerliches frauenleben ebook](#)

[dierbaarheden als ze maar konden spreken de fantastische dierenfotos van mike hollist](#)

[die grausamkeit g ttin versklavung meines ebook](#)

dienaar der menschheid het leven van robert koch 1843 1910

die g rten w lder lichts pflanzen

die middlesteins luise wunderbarlich liest

die farbe elefanten teresa fritsch

die geheime invasion aletheia porter ebook

die legende assan carola schierz ebook

die textil und schnurreste aus der fra hgeschichte wurt elisenhof

die totenstadt niemandsland sinclair western ebook

die fickinger fuerteventura estefania espaniola ebook

die wissenschaftlichen grundlagen analytischen chemie

die vergessene generation kriegskinder schweigen

die gute landk che barbara rias bucher

Cub Cadet 1330 Manual :

evaluation cemc medical coding study guide aapc - Aug 23 2023

web certification study guide the cemc study guide provides you with a review of evaluation and management coding in preparation for the cemc exam it covers all topics you ll encounter in the certification exam and includes practical examples demonstrating proper use of ama cpt e m guidelines

cemc exam study guide 2023 edition 150 cemc practice - Aug 11 2022

web apr 26 2023 the new and improved certified evaluation management coder exam study guide 2023 edition now with over 180 real world coding tips to help you pass the exam the first time it is designed for students preparing for the certified evaluation management coder cemc exam from aapc after january 1 2023

evaluation and management preparation course e m training - Nov 14 2022

web aapc s certification study guides are designed to help you feel familiar with the exam beforehand all the exam content sections will be covered as well as test taking tips so you know what to expect on exam day

evaluation cemc medical coding study guide aapc cemc exam study - Sep 12 2022

web that cemc study guide provides you with a review of evaluation and management coding in preparation for the cemc exam it covers all topics you ll encounter in the certification examination and does hands on examples demonstrating proper how of ama cpt e m guidelines the cemc study guide also includes a 35 question test

certified evaluation and management coder cemc - May 08 2022

web the certified evaluation and management coder credential offered by the aapc learn what is is how to obtain it and what type of career options it offers

[cemc exam study guide 150 certified evaluation and man](#) - Dec 15 2022

web apr 12 2020 the cemc exam study guide 2022 edition with 150 question mock exam the certified evaluation and management coder cemc exam study guide includes questions answers and rationale updated as of january 1 2022 questions are separated into sections to make it easier to spot strengths and weaknesses it includes a 150

[cemc exam study guide amazon com tr](#) - Sep 24 2023

web cemc exam study guide 2019 edition 150 cemc practice exam questions answers full rationale secrets to reducing exam stress medical terminology the exam strategy and scoring sheets coding pro medical amazon com tr kitap

[prepare for certified evaluation and management coder exam](#) - Jul 22 2023

web review the study guide and test taking techniques designed to help you prepare for the exam our official cemc certification study guide provides a comprehensive review of e m coding with practical examples e m guidelines

evaluation cemc medical coding study guide aapc - Oct 13 2022

web the cemc study guide provides you using ampere review of site or management coding the preparation forward the cemc exam it covers all topics you ll encounter in the certification exam and includes practical sample demonstrating proper used of ama cpt e m guidelines

[cemc exam study guide 2023 edition 150 cemc practice](#) - Jul 10 2022

web apr 26 2023 cemc exam study guide 2023 edition 150 cemc practice exam questions answers and rationale over 180 coding tips medical terminology common anatomy and scoring sheets 9798392669790 medicine health science books amazon com books medical books medicine

[amazon com cemc exam study guide 150 certified evaluation](#) - Feb 17 2023

web apr 11 2020 buy cemc exam study guide 150 certified evaluation and managment coder practice exam questions answers rationale tips to pass the exam secrets to reducing exam stress medical terminology anatomy read kindle store reviews

[taking the cemc exam aapc](#) - May 20 2023

web each specialty certification exam must be taken separately and passed an overall score of 70 or higher is required to pass the certification exam if you don t pass the areas of study categories with a score of 65 or less will be provided for your preparation to retest

cemc certification study guide aapc google books - Jun 21 2023

web jan 7 2020 the cemc study guide offers a comprehensive review of evaluation and management coding in preparation

for the cemc exam it covers all topics tested in the actual exam and is filled with

certified evaluation and management coder cemc certification - Mar 18 2023

web the cemc certification exam will test understanding of e m guidelines for new and established office and outpatient services as well as other e m services such as consultations and hospital services ability to determine e m level of

official study guide cemc aapc - Apr 19 2023

web evaluation management certification preparation specialty certification study guide with review of icd 10 cm cpt and hcpcs level ii coding concepts and guidelines 2023 ank you for your contribution to the hardship fund book purchases raised over 100 000 to assist members over the last year

cemc study guide pdf read treca org - Mar 06 2022

web read online cemc study guide to supplement this study guide these online practice exams will add an additional 60 multiple choice questions and 10 fill in the blank coding cases to your preparation the cemc study guide offers a comprehensive review of evaluation and management coding in preparation for the cemc exam

cemc exam study guide 2019 edition 150 cemc practice - Jan 16 2023

web mar 6 2019 the certified evaluation and management coder cemc exam study guide 2019 edition includes questions answers and rationale updated as of january 1 2019 questions are separated into sections to make it easier to spot strengths and weaknesses

official study guide medical coding training cpc certified - Feb 05 2022

web 2023 official study guide cpc certification aapc com 67 introduction to cpt surgery guidelines hcpcs level ii and modifiers chapter 4 introduction to cpt the current procedural terminology cpt code book is a compilation of guidelines codes and descriptions used to report healthcare services

cemc exam study guide 2019 edition book by medical - Jun 09 2022

web the certified evaluation and management coder cemc exam study guide 2019 edition includes questions answers and rationale updated as of january 1 2019 questions are separated into sections to make it easier to spot strengths and weaknesses it includes a 150 question practice exam with answers and full rationale medical terminology

cemc study guide pdf beta atanet - Apr 07 2022

web certified evaluation and management coder cemc cemc study guide cem aemsm examination cemc exam study guide 2019 edition 150 cemc practice by cemc exam study guide 2019 edition ebay cemc exam study guide 2019 edition 150 cemc practice certified e m auditor credential cema namas download cemc

support ishida - Apr 30 2022

web through providing bespoke services and support via our call centres training schemes and in house expertise we can

work together to provide a swift and accurate response to customer queries regardless of the situation time or location we can coordinate with your manufacturing r d and quality departments giving targeted support based on

ishida astra scale manual by harvard ac uk256 issuu - Feb 26 2022

web feb 2 2018 this particular pdf discuss about the subject of ishida astra scale manual coupled with all the accommodating information and more knowledge about the area of interest

ishida astra frequently asked questions manual - Feb 09 2023

web ishida astra frequently asked questions manual pdf download manualslib manuals brands ishida manuals scales astra frequently asked questions manual ishida astra frequently asked questions manual price computing scale with printer also see for astra operation manual 4 pages operation manual 64 pages operation

price computing scale with printer rice lake - Nov 06 2022

web price computing scale with printer operation manual bench model pole model may 30 2018 pn 184270 rev a an iso 9001 registered company ishida astra ii 6 visit our website ricelake com 1 5 3 program price changes use the following steps to change prices for existing items 1 remove the speed key insert page if in use over the

ishida astra operation manual pdf download manualslib - Jun 13 2023

web view and download ishida astra operation manual online counter scale printer astra printer pdf manual download

ishida astra ii bench operation manuals pdf download - May 12 2023

web view and download ishida astra ii bench operation manuals online price computing scale with printer astra ii bench scales pdf manual download also for 185822 185823 astra ii pole

operation manual amazon web services - Dec 07 2022

web page 8 astra operation manual rev 0124c chapter 2 product overview 2 4 program key sheet the program key sheet is located underneath the operation key sheet it can be accessed by lifting up the cover film and removing the operation key sheet cover film key sheet note refer to section 5 2 of this manual for an explanation of the

ishida astra scale manual by caseedu234 issuu - Mar 30 2022

web feb 13 2018 get ishida astra scale manual pdf file for free from our online library ishida astra scale manual this particular pdf discuss about the subject of ishida astra scale

ishida astra counter scale printer revel systems - Jun 01 2022

web mar 5 2020 please refer to the two downloadable manuals below to learn more information on the ishida scale including how to enter in plus via a simple pc program please note to connect the scale to the pc the pc needs to have a serial port also visit the official webpage for the scale here resources

astralink user guide amazon web services - Sep 04 2022

web the data on your ishida astra scale astralink includes the following features visual interface for creating and editing scales data plus extra messages keyboard presets store name and address scales data can be sent to and read from the scales via the serial port on your pc quick price change feature

ishida astra xt manual de usuario descargar en pdf - Aug 03 2022

web ver y descargar ishida astra xt manual de usuario online balanza etiquetadora astra xt básculas descargar manual en pdf

ishida astra operation manual pdf download manualslib - Jul 14 2023

web view and download ishida astra operation manual online counter scale printer astra scales pdf manual download

ishida astra manuals manualslib - Aug 15 2023

web ishida astra manuals manuals and user guides for ishida astra we have 4 ishida astra manuals available for free pdf

download operation manual frequently asked questions manual

ishida astra operation manual pdf download manualslib - Apr 11 2023

web ishida astra operation manual do not carry out installation operation service or maintenance until thoroughly

understanding the contents of this manual keep this manual available at all times for installation operation

download ebook ishida astra xt scales manuals pdf file free - Dec 27 2021

web aug 20 2023 as this ishida astra xt scales manuals it ends up brute one of the favored book ishida astra xt scales manuals collections that we have this is why you remain in the best website to see the incredible book to have as recognized adventure as with ease as experience virtually lesson amusement as capably as promise can be gotten by just

ishida astra service manual rice lake - Jan 08 2023

web astra service manual manual no 0145a page 135 appendix a 3 communication cable wiring diagram the astra may communicate by rs 232 connection to a pc it may also communicate to another astra scale for the purpose of copying data from one machine to another the cable pin assignments are listed below for several types of cables

ishida astra xt manuales manualslib - Jul 02 2022

web manuales y guías de usuario para ishida astra xt tenemos 1 ishida astra xt manual disponible para descarga gratuita en pdf manual de usuario ishida astra xt manual de usuario 45 páginas

ishida astra manual ishida astra scales frequently asked - Jan 28 2022

web may 12 2023 manufacturer ishida category of device printer scales document astra frequently asked questions manual file type pdf updated 05 02 2023 count of pages 8 download astra manual 8 pages

download ishida astra operation manual manualslib - Mar 10 2023

web download ishida astra operation manual ishida astra operation manual brand ishida category scales size 2 05 mb pages

ishida astra operation manual pdf the checkout tech - Oct 05 2022

web dec 15 2013 pdf previews composed of the front cover and table of contents ensure you know exactly what you re buying all manuals in the store are instantly downloadable ssl and https secure using paypal 100 money back guarantee is part of our core policy if you have any problems email us support the checkout tech com 10 years

the moral consequences of economic growth google books - Mar 23 2022

web nov 3 2010 the moral consequences of economic growth benjamin m friedman knopf doubleday publishing group nov 3 2010 business economics 592 pages

the moral consequences of economic growth paperback - Feb 19 2022

web sep 12 2006 buy the moral consequences of economic growth reprint by friedman benjamin m isbn 9781400095711 from amazon s book store everyday low prices and free delivery on eligible orders

the moral consequences of economic growth 2 markets morals - Jul 27 2022

web the moral consequences of economic growth by benjamin m friedman book markets morals and religion edition 1st edition first published 2008 imprint routledge pages 14 ebook isbn 9780203786222 share abstract economic growth has become the secular religion of advancing industrial societies previous chapter next chapter

the moral consequences of economic growth - Oct 10 2023

web believe this thinking is seriously in some circum stances dangerously incomplete the value of a rising standard of living lies not just in the concrete improve ments it brings to how individuals live but in how it shapes the social political and ultimately the moral character of a people

the moral consequences of economic growth by benjamin m - Apr 04 2023

web in his book the moral consequences of economic growth he argues for the bold claim that the value of a rising standard of living lies not just in the concrete improvements it brings to how individuals live but in how it shapes the social political and ultimately the moral character of a people 4 if growing economies lead to more

moral consequences of economic growth the - Jun 06 2023

web it draws on my recent book the moral consequences of economic growth new york alfred a knopf 2005 william joseph maier professor of political economy harvard university

transcript of an imf center book forum the moral consequences - Sep 28 2022

web feb 8 2006 the book is by professor benjamin friedman the moral consequences of economic growth i m sure everybody has their copy right now and he ll be available to sign your copies and dedicate them to your firstborns

the moral consequences of economic growth amazon com - Aug 28 2022

web sep 12 2006 harvard professor benjamin m friedman in his 2005 work the moral consequences of economic growth

discusses the profound impact of commercial and industrial developments on cultural social and moral practices and behavior

[the moral consequences of economic growth archive org](#) - Jun 25 2022

web the moral consequences of economic growth by friedman benjamin m publication date 2005 topics economic development moral and ethical aspects income distribution political participation democracy de veloppement e conomique aspect moral revenu re partition participation politique de mocratie re partition du revenu

the moral consequences of economic growth penguin - Nov 30 2022

web the moral consequences of economic growth will stand as a major contribution to social well being it could not be more timely and welcome john kenneth galbraith author of the affluent society friedman s book renews the proud tradition of adam smith s theory of moral sentiments

the moral consequences of economic growth cepr - Jan 01 2023

web apr 3 2009 benjamin friedman of harvard university talks to romesh vaitilingam about his book the moral consequences of economic growth which explores how growth boosts such values as opportunity tolerance generosity and democracy

[the moral consequences of economic growth benjamin friedman](#) - May 25 2022

web dec 4 2012 friedman benjamin m 2005 the moral consequences of economic growth new york alfred a knopf

[the moral consequences of economic growth benjamin friedman](#) - Jul 07 2023

web papers articles released in conjunction with the book the moral case for growth the international economy 40 fall 2005 the moral consequences of economic growth society 43 january february 2006 moral consequences of economic growth the john r commons lecture 2006 american economist 50

[the moral consequences of economic growth semantic scholar](#) - Aug 08 2023

web jun 1 2006 the moral consequences of economic growth b friedman published 1 june 2006 economics philosophy society are we right to care so much about economic growth as we clearly do for citizens of all too many of the world s countries where poverty is still the norm the answer is immediate and obvious

the moral consequences of economic growth amazon com - Apr 23 2022

web oct 18 2005 the moral consequences of economic growth friedman benjamin m 9780679448914 amazon com books books politics social sciences politics government enjoy fast free delivery exclusive deals and award winning movies tv shows with prime try prime and start saving today with fast free delivery buy new

[the moral consequences of economic growth springerlink](#) - Oct 30 2022

web the moral consequences of economic growth benjamin m friedman society 43 15 22 2006 cite this article 3667 accesses 46 citations 6 altmetric metrics economic growth has become the secular religion of advancing industrial societies daniel bell

the cultural contradictions of capitalism

the moral consequences of economic growth an empirical - Sep 09 2023

web feb 1 2013 in the moral consequences of economic growth benjamin friedman argues that growth reduces the strength of interpersonal income comparisons and thereby tends to increase the desire for pro social legislation a position he supports by drawing on the historical records of the us and several western european countries

the moral consequences of economic growth researchgate - Mar 03 2023

web may 30 2006 download citation the moral consequences of economic growth no abstract available find read and cite all the research you need on researchgate

the moral consequences of economic growth an empirical - Feb 02 2023

web jul 21 2011 in the moral consequences of economic growth benjamin friedman argues that growth reduces the strength of interpersonal income comparisons and thereby tends to increase the desire for pro social legislation a position he supports by drawing on the historical records of the us and several western european countries

the moral consequences of economic growth springerlink - May 05 2023

web may 22 2007 the moral consequences of economic growth benjamin m friedman vintage books new york usa 2005 592pp 35 hardcover 16 95 paperback according to benjamin friedman a moral society offers opportunity tolerance economic and social mobility fairness and democracy