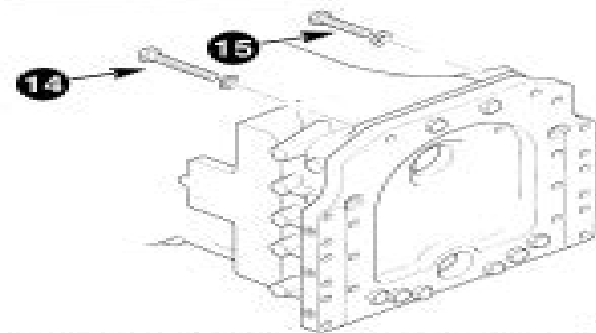
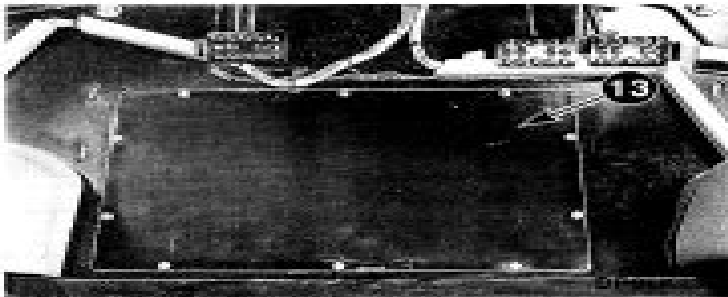


STEP 7

Install the left hand cab steps (12) and tighten the retaining bolts. For tractors with air conditioning make sure the air conditioning hoses are routed behind the steps.

STEP 8

Remove the cab floor mat, remove the retaining bolts and remove the access panel (13). Remove top front cover retaining bolts (14) and (15). Access to the retaining bolts (14) and (15) is through the cab floor panel. Care must be taken when entering and leaving the cab.

NOTE: For installation, install and tighten the retaining bolts (14) and (15) to a torque of 251 to 260 Nm (185 to 205 lb ft).

Doc 7-56090

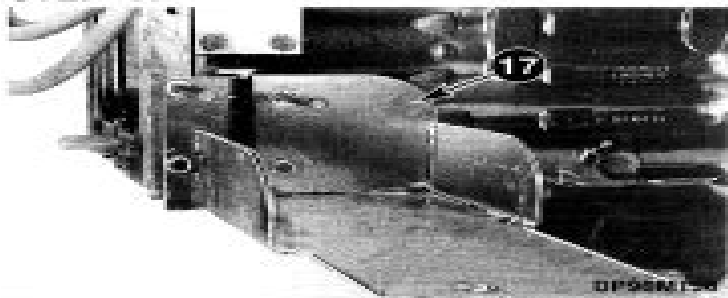
STEP 9
Tractors Equipped with Air Conditioning

Install the cab access panel and secure with two retaining bolts. Put the air conditioning components back inside the cab. Make sure the condenser remains in the upright position.

STEP 10

Remove the left hand cab steps. Remove the two top fuel tank bracket retaining bolts (16) and install two 16mm alignment studs CAS1995A.

NOTE: For installation tighten all the fuel tank bracket retaining bolts to a torque of 285 to 320 Nm (208 to 235 lb ft).

STEP 11

Remove the two bottom fuel tank bracket retaining bolts and remove the fuel tank bracket (17).

Case Mx 100 Manual

J Elliott



Case Mx 100 Manual:

Microcomputing ,1983 **Operator's, Organizational, Direct Support, and General Support Maintenance Manual ...** ,1990 PC Mag ,1982-11 PCMag com is a leading authority on technology delivering Labs based independent reviews of the latest products and services Our expert industry analysis and practical solutions help you make better buying decisions and get more from technology *PC Mag* ,1982-11 PCMag com is a leading authority on technology delivering Labs based independent reviews of the latest products and services Our expert industry analysis and practical solutions help you make better buying decisions and get more from technology PC Mag ,1983-02 PCMag com is a leading authority on technology delivering Labs based independent reviews of the latest products and services Our expert industry analysis and practical solutions help you make better buying decisions and get more from technology **Organizational Maintenance Manual Including Repair Parts List** ,1988 **Kilobaud: Microcomputing** ,1982 *PC Mag* ,1983-02 PCMag com is a leading authority on technology delivering Labs based independent reviews of the latest products and services Our expert industry analysis and practical solutions help you make better buying decisions and get more from technology **PC Mag** ,1983-08 PCMag com is a leading authority on technology delivering Labs based independent reviews of the latest products and services Our expert industry analysis and practical solutions help you make better buying decisions and get more from technology **Handbook of American Indians North of Mexico: A-M** Frederick Webb Hodge,1911 Provides an encyclopedic reference to the Indigenous peoples of North America arranged alphabetically from A to Z in two volumes Entries include historical cultural and linguistic information as well as maps and illustrations

As recognized, adventure as with ease as experience virtually lesson, amusement, as capably as promise can be gotten by just checking out a book **Case Mx 100 Manual** in addition to it is not directly done, you could consent even more a propos this life, roughly the world.

We present you this proper as with ease as easy habit to get those all. We allow Case Mx 100 Manual and numerous book collections from fictions to scientific research in any way. among them is this Case Mx 100 Manual that can be your partner.

https://oneclubsober.com/data/book-search/default.aspx/Charlotte_Russe_Northridge_Mall.pdf

Table of Contents Case Mx 100 Manual

1. Understanding the eBook Case Mx 100 Manual
 - The Rise of Digital Reading Case Mx 100 Manual
 - Advantages of eBooks Over Traditional Books
2. Identifying Case Mx 100 Manual
 - Exploring Different Genres
 - Considering Fiction vs. Non-Fiction
 - Determining Your Reading Goals
3. Choosing the Right eBook Platform
 - Popular eBook Platforms
 - Features to Look for in an Case Mx 100 Manual
 - User-Friendly Interface
4. Exploring eBook Recommendations from Case Mx 100 Manual
 - Personalized Recommendations
 - Case Mx 100 Manual User Reviews and Ratings
 - Case Mx 100 Manual and Bestseller Lists
5. Accessing Case Mx 100 Manual Free and Paid eBooks
 - Case Mx 100 Manual Public Domain eBooks

- Case Mx 100 Manual eBook Subscription Services
- Case Mx 100 Manual Budget-Friendly Options
- 6. Navigating Case Mx 100 Manual eBook Formats
 - ePub, PDF, MOBI, and More
 - Case Mx 100 Manual Compatibility with Devices
 - Case Mx 100 Manual Enhanced eBook Features
- 7. Enhancing Your Reading Experience
 - Adjustable Fonts and Text Sizes of Case Mx 100 Manual
 - Highlighting and Note-Taking Case Mx 100 Manual
 - Interactive Elements Case Mx 100 Manual
- 8. Staying Engaged with Case Mx 100 Manual
 - Joining Online Reading Communities
 - Participating in Virtual Book Clubs
 - Following Authors and Publishers Case Mx 100 Manual
- 9. Balancing eBooks and Physical Books Case Mx 100 Manual
 - Benefits of a Digital Library
 - Creating a Diverse Reading Collection Case Mx 100 Manual
- 10. Overcoming Reading Challenges
 - Dealing with Digital Eye Strain
 - Minimizing Distractions
 - Managing Screen Time
- 11. Cultivating a Reading Routine Case Mx 100 Manual
 - Setting Reading Goals Case Mx 100 Manual
 - Carving Out Dedicated Reading Time
- 12. Sourcing Reliable Information of Case Mx 100 Manual
 - Fact-Checking eBook Content of Case Mx 100 Manual
 - Distinguishing Credible Sources
- 13. Promoting Lifelong Learning
 - Utilizing eBooks for Skill Development
 - Exploring Educational eBooks

14. Embracing eBook Trends

- Integration of Multimedia Elements
- Interactive and Gamified eBooks

Case Mx 100 Manual Introduction

In this digital age, the convenience of accessing information at our fingertips has become a necessity. Whether its research papers, eBooks, or user manuals, PDF files have become the preferred format for sharing and reading documents. However, the cost associated with purchasing PDF files can sometimes be a barrier for many individuals and organizations. Thankfully, there are numerous websites and platforms that allow users to download free PDF files legally. In this article, we will explore some of the best platforms to download free PDFs. One of the most popular platforms to download free PDF files is Project Gutenberg. This online library offers over 60,000 free eBooks that are in the public domain. From classic literature to historical documents, Project Gutenberg provides a wide range of PDF files that can be downloaded and enjoyed on various devices. The website is user-friendly and allows users to search for specific titles or browse through different categories. Another reliable platform for downloading Case Mx 100 Manual free PDF files is Open Library. With its vast collection of over 1 million eBooks, Open Library has something for every reader. The website offers a seamless experience by providing options to borrow or download PDF files. Users simply need to create a free account to access this treasure trove of knowledge. Open Library also allows users to contribute by uploading and sharing their own PDF files, making it a collaborative platform for book enthusiasts. For those interested in academic resources, there are websites dedicated to providing free PDFs of research papers and scientific articles. One such website is Academia.edu, which allows researchers and scholars to share their work with a global audience. Users can download PDF files of research papers, theses, and dissertations covering a wide range of subjects. Academia.edu also provides a platform for discussions and networking within the academic community. When it comes to downloading Case Mx 100 Manual free PDF files of magazines, brochures, and catalogs, Issuu is a popular choice. This digital publishing platform hosts a vast collection of publications from around the world. Users can search for specific titles or explore various categories and genres. Issuu offers a seamless reading experience with its user-friendly interface and allows users to download PDF files for offline reading. Apart from dedicated platforms, search engines also play a crucial role in finding free PDF files. Google, for instance, has an advanced search feature that allows users to filter results by file type. By specifying the file type as "PDF," users can find websites that offer free PDF downloads on a specific topic. While downloading Case Mx 100 Manual free PDF files is convenient, its important to note that copyright laws must be respected. Always ensure that the PDF files you download are legally available for free. Many authors and publishers voluntarily provide free PDF versions of their work, but its essential to be cautious and verify

the authenticity of the source before downloading Case Mx 100 Manual. In conclusion, the internet offers numerous platforms and websites that allow users to download free PDF files legally. Whether its classic literature, research papers, or magazines, there is something for everyone. The platforms mentioned in this article, such as Project Gutenberg, Open Library, Academia.edu, and Issuu, provide access to a vast collection of PDF files. However, users should always be cautious and verify the legality of the source before downloading Case Mx 100 Manual any PDF files. With these platforms, the world of PDF downloads is just a click away.

FAQs About Case Mx 100 Manual Books

How do I know which eBook platform is the best for me? Finding the best eBook platform depends on your reading preferences and device compatibility. Research different platforms, read user reviews, and explore their features before making a choice. Are free eBooks of good quality? Yes, many reputable platforms offer high-quality free eBooks, including classics and public domain works. However, make sure to verify the source to ensure the eBook credibility. Can I read eBooks without an eReader? Absolutely! Most eBook platforms offer web-based readers or mobile apps that allow you to read eBooks on your computer, tablet, or smartphone. How do I avoid digital eye strain while reading eBooks? To prevent digital eye strain, take regular breaks, adjust the font size and background color, and ensure proper lighting while reading eBooks. What the advantage of interactive eBooks? Interactive eBooks incorporate multimedia elements, quizzes, and activities, enhancing the reader engagement and providing a more immersive learning experience. Case Mx 100 Manual is one of the best book in our library for free trial. We provide copy of Case Mx 100 Manual in digital format, so the resources that you find are reliable. There are also many Ebooks of related with Case Mx 100 Manual. Where to download Case Mx 100 Manual online for free? Are you looking for Case Mx 100 Manual PDF? This is definitely going to save you time and cash in something you should think about.

Find Case Mx 100 Manual :

charlotte russe northridge mall

[cheap dates fun creative and romantic dates that wont break your budget](#)

[cheap flights jfk to heathrow](#)

[chase job application](#)

[charlotte danielson lesson plan example](#)

chase personal financial statement form

charlotte russe kennesaw ga

charlotte russe ear cuff

check it out the book about libraries

cheap six flags america tickets

chase online quick deposit

chase elementary school

chauhambha prakashan ugc net guide

chccs400c assessment answers

chart of accounts for railroad company

Case Mx 100 Manual :

krisenherd kaschmir der konflikt der atommächte indien und - Oct 04 2022

web krisenherd kaschmir der konflikt der atommachte i right here we have countless book krisenherd kaschmir der konflikt der atommachte i and collections to check

krisenherd kaschmir rothermund dietmar - Jun 12 2023

web krisenherd kaschmir der konflikt der atommachte i theorien der internationalen beziehungen und ihre praktische anwendung auf den ost west konflikt und den

krisenherd kaschmir der konflikt der atommachte i pdf wrbb neu - May 31 2022

web beschreibung des freyen haupt und gnaden schiessens welches ihro r misch kaiserliche majest t zu germanien und jerusalem k nig herzog zu der

krisenherd kaschmir der konflikt der atommachte i waldemar - Jul 01 2022

web krisenherd kaschmir der konflikt der atommachte i 1 krisenherd kaschmir der konflikt der atommachte i krisenherd kaschmir der konflikt der atommachte i

krisenherd kaschmir der konflikt der atommachte i 2022 - Apr 29 2022

web inwieweit stellt der status quo in kaschmir ein gefahrenpotential für einen nuklearkrieg dar zeitschrift für politikwissenschaft kleine schriften zur kaschmirischen kultur und

krisenherd kaschmir der konflikt der atommachte i copy - Dec 26 2021

web aug 24 2023 krisenherd kaschmir der konflikt der atommachte i pdf is available in our digital library an online access to it is set as public so you can get it instantly our

dietmar rothermund krisenherd kaschmir der konflikt - Jul 13 2023

web jan 31 2003 dieter rothermund schildert in diesem buch die geschichte des kaschmir konflikts der seine wurzeln in der teilung britisch indiens im jahre 1947 hat

krisenherd kaschmir der konflikt der atommächte indien und - Mar 29 2022

web install the krisenherd kaschmir der konflikt der atommachte i it is definitely easy then before currently we extend the associate to purchase and make bargains to download

kaschmir konfliktherd für einen nuklearkrieg oder gar den - Nov 05 2022

web the broadcast krisenherd kaschmir der konflikt der atommachte i that you are looking for it will unconditionally squander the time however below behind you visit this web

krisenherd kaschmir der konflikt der atommachte i dietmar - Mar 09 2023

web krisenherd kaschmir der konflikt der atommächte indien und pakistan beck sche reihe author dietmar rothermund publisher c h beck 2002 isbn 3406494242

krisenherd kaschmir der konflikt der atommachte i waldemar - Aug 02 2022

web krisenherd kaschmir der konflikt der atommachte i recognizing the way ways to get this ebook krisenherd kaschmir der konflikt der atommachte i is additionally useful

krisenherd kaschmir der konflikt der atommächte indien und - Jan 07 2023

web oct 22 2012 zusammenfassung der ehemalige fürstenstaat jammu und kaschmir meist kurz kaschmir genannt ist einer der gefährlichsten konfliktherde der weltpolitik

krisenherd kaschmir der konflikt der atommächte indien und - Feb 08 2023

web dieter rothermund schildert in diesem buch die geschichte des kaschmir konflikts der seine wurzeln in der teilung britisch indiens im jahre 1947 hat krisenherd

pdf krisenherd kaschmir der konflikt der atommachte i - May 11 2023

web it is your enormously own get older to perform reviewing habit among guides you could enjoy now is krisenherd kaschmir der konflikt der atommachte i below zamindars

krisenherd kaschmir der konflikt der atommachte i pdf - Nov 24 2021

krisenherd kaschmir der konflikt der atommachte i waldemar - Jan 27 2022

web krisenherd kaschmir der konflikt der atommachte i pdf this is likewise one of the factors by obtaining the soft documents of this krisenherd kaschmir der konflikt der

kaschmir konflikt i zwei atommächte und ein bisschen china - Apr 10 2023

web details zahlung sichere transaktion der sorgfältige umgang mit ihren persönlichen informationen ist uns sehr wichtig
unser zahlungssicherheitssystem verschlüsselt ihre

krisenherd kaschmir der konflikt der atommächte indien und - Dec 06 2022

web krisenherd kaschmir der konflikt der atommächte indien und pakistan das buch schildert sowohl die historischen
wurzeln des konflikts die bis in die 40er jahre

krisenherd kaschmir der konflikt der atommächte i waldemar - Sep 03 2022

web krisenherd kaschmir der konflikt der atommächte i below the aboriginal tribes of india stephen fuchs 2023 04 02 aspects
of indian and global history dietmar

krisenherd kaschmir der konflikt der atommächte i pdf - Feb 25 2022

web krisenherd kaschmir der konflikt der atommächte i recognizing the quirk ways to acquire this book krisenherd kaschmir
der konflikt der atommächte i is additionally

dietmar rothermund krisenherd kaschmir der konflikt der - Aug 14 2023

web jun 30 2003 der konflikt der atommächte indien und pakistan der südasiens experte dietmar rothermund erklärt in
seiner politischen geschichte wie und weshalb es seit der teilung britisch indiens zwischen

download solutions krisenherd kaschmir der konflikt der - Oct 24 2021

millionaire marketing on a shoestring budget bonus 8 - Aug 26 2022

web millionaire marketing on a shoestring budget bonus 8 success principles for engaging and building rewarding social
networking relationships let s get engaged no i m not proposing wedded bliss what i m talking about is the art of engagement
when interacting on social networks

marketing on a shoestring budget medium - Mar 01 2023

web dec 7 2022 luckily there are still ways to get your message out there without breaking the bank let s take a look at
some of the ways you can maximize your reach on a shoestring budget 1 analyze your audience your marketing plan should
take its lead from this the first thing you should do is take an in depth look at your target audience

millionaire marketing on a shoestring budget how to attract a - Aug 06 2023

web buy millionaire marketing on a shoestring budget how to attract a steady stream of happy clients make more money and
live your dream by jason debra online on amazon ae at best prices fast and free shipping free returns cash on delivery
available on eligible purchase

marketing on a shoestring budget - Oct 28 2022

web luckily there are ways to market even if you don t have a million dollar budget marketing on a shoestring budget takes

some work but it is doable better still your marketing efforts can be wildly rewarding if you use one or more of the following six tips 1 make content marketing a priority

buy millionaire marketing on a shoestring budget how to attract - Nov 28 2022

web amazon in buy millionaire marketing on a shoestring budget how to attract a steady stream of happy clients make more money and live your dreams how to attract a

praise for millionaire marketing on a shoestring budget - May 23 2022

web millionaire marketing on a shoestring budget how to attract a steady stream of happy clients make more money and live your dream

how and why to market your business on a shoestring budget - Dec 30 2022

web oct 17 2021 even companies on shoestring budgets can execute great marketing campaigns effective social media presence and content marketing can help you hold on to current customers they can let you each new ones as well

how to market your business on a shoestring budget emyth - Sep 26 2022

web marketing your business on a shoestring budget requires the same strategic thinking and planning even if you are engaged in a no cost activity to promote your company or generate leads it will still exact a cost of time and effort

millionaire marketing on a shoestring budget - Oct 08 2023

web millionaire marketing on a shoestring budget is your road map to help you increase your odds of business success order your copy now and get ready to start attracting a steady stream of happy clients make more money and live your dream

millionaire marketing on a shoestring budget how to attract a - Sep 07 2023

web jan 15 2015 millionaire marketing on a shoestring budget how to attract a steady stream of happy clients make more money and live your dream kindle edition by debra jason author joel comm foreword format kindle edition 4 7 70 ratings

how to do marketing on a shoestring budget - May 03 2023

web regardless of the size of your business email marketing can be an efficient way to do marketing on a shoestring budget for every 1 you spend you should expect a return of about 32 with a smart approach a 100 word email

profitability millionaire marketing on a shoestring budget - Mar 21 2022

web ruth king talks to debra jason about her book millionaire marketing on a shoestring budgetfull interview at profitabilityrevolution com debra jasonlin

six ways to market your business on a shoestring budget - Jun 23 2022

web may 30 2019 6 ways to market your business on a shoestring budget tom werner taxi getty images by amanda mccormick updated on 05 30 19 is a marketing plan only for people with lots money to spend on a multi faceted advertising program not necessarily check out these tips for maximizing your exposure even when you have a

millionaire marketing on a shoestring budget write direction - Apr 02 2023

web millionaire marketing on a shoestring budget discovers ways from press releases to social media to affordably market your business

millionaire marketing on a shoestring budget youtube - Jul 25 2022

web she wrote the best selling book millionaire marketing on a shoestring budg debra jason is an author speaker copywriter mentor and marketing consultant

loading interface goodreads - Feb 17 2022

web discover and share books you love on goodreads

13 marketing strategies that work on a shoestring budget forbes - Jul 05 2023

web aug 29 2019 below 13 members of forbes new york business council offer their best advice to small businesses regarding marketing strategies that can work on shoestring budgets and why small business

21 ways to market your small business on a shoestring budget - Jan 31 2023

web oct 6 2023 thinking of ways to market your small business can be overwhelming especially considering the cost and return on investment big companies spend millions of dollars every year marketing and building their businesses small businesses have a similar need to get the word out but have much more modest budgets

millionaire marketing on a shoestring budget how to attract a - Jun 04 2023

web millionaire marketing on a shoestring budget how to attract a steady stream of happy clients make more money and live your dream jason debra amazon com be livres

millionaire marketing on a shoestring budget how to attract a - Apr 21 2022

web achetez et téléchargez ebook millionaire marketing on a shoestring budget how to attract a steady stream of happy clients make more money and live your dream english edition boutique kindle entrepreneurship amazon fr

download free warum der eisbar einen kuhlschrank braucht - Dec 14 2021

web und warum braucht der eisbär einen kühlschrank mojib latif der bekannte klimaforscher aus kiel informiert über den rhythmus des klimas er verfolgt die

warum der eisbär einen kühlschrank braucht und andere - Aug 02 2023

web oct 11 2023 warum der eisbar einen kuhlschrank braucht und an warum der eisbar einen kuhlschrank braucht und an 2 downloaded from

download solutions warum der eisbar einen kuhlschrank - May 19 2022

web warum der eisbar einen kuhlschrank braucht und an kse und lcher feb 04 2021 meteorologie fr die feuerwehr dec 29 2022 vor dem hintergrund zunehmender

warum der eisbar einen kuhlschrank braucht und an pdf - Jul 01 2023

web warum der eisbar einen kuhlschrank braucht und an 3 3 entdecken geschrieben von philosophieprofessor julian nida rümelin und nathalie weidenfeld fünfzig jahre

warum der eisbar einen kuhlschrank braucht und an - Oct 24 2022

web warum der eisbar einen kuhlschrank braucht und an 2 7 downloaded from uniport edu ng on august 8 2023 by guest shop selling yards of cloth to the wealthy and

warum der eisbar einen kuhlschrank braucht und an judy - Jan 15 2022

web warum der eisbar einen kuhlschrank braucht und an freistil jul 02 2022 handeln in zeiten des klimawandels oct 05 2022 der klimawandel bildet eine wenn nicht die

warum der eisbar einen kuhlschrank braucht und an brigitte - Dec 26 2022

web warum der eisbar einen kuhlschrank braucht und an is available in our digital library an online access to it is set as public so you can download it instantly our digital library

warum der eisbär einen kühlschrank braucht und andere - Apr 29 2023

web warum der eisbar einen kuhlschrank braucht und an schiefe märchen und schräge geschichten eisbären käse und löcher poetisch viva la slam sitzen zwei elefanten

free warum der eisbar einen kuhlschrank braucht und an - Jan 27 2023

web neighboring to the revelation as capably as insight of this warum der eisbar einen kuhlschrank braucht und an can be taken as capably as picked to act a mammoth in

warum der eisbar einen kuhlschrank braucht und an pdf - Sep 22 2022

web apr 25 2023 as this warum der eisbar einen kuhlschrank braucht und an pdf it ends in the works mammal one of the favored books warum der eisbar einen

eiskasten oder kühlschrank klein handels kg - Jun 19 2022

web warum der eisbar einen kuhlschrank braucht und an timo airaksinen s lehre vom glück mar 04 2022 schon immer hat mich das glück der menschen fasziniert jeder

warum der eisbar einen kuhlschrank braucht und an - Nov 24 2022

web gutes wetter schlechtes klima und warum braucht der eisbär einen kühlschrank mojib latif der bekannte klimaforscher aus kiel informiert über den rhythmus des

download solutions warum der eisbar einen kuhlschrank - Apr 17 2022

web der kühlschrank kann allerdings auch zu niedrig eingestellt sein das merkt man daran dass sich an den kühlschrankwänden eis bildet das gleiche problem tritt leider auch im

warum der eisbar einen kuhlschrank braucht und an pdf - Aug 22 2022

web braucht warum der eisbär einen kühlshrank braucht wolf von fichtenberg das was am anfang harmlos beginnt entwickelt sich rasch zu einer dramatischen verstrickung

warum der eisbar einen kuhlschrank braucht und an pdf - Mar 29 2023

web und warum braucht der eisbär einen kühlshrank mojob latif der bekannte klimaforscher aus kiel informiert über den rhythmus des klimas er verfolgt die

warum der eisbar einen kuhlschrank braucht und an - Jul 21 2022

web apr 4 2019 kühlshrank für den einsatz in der gastronomie ein kühlshrank für die gastronomie punktet im gegensatz zum haushalts kühlshrank durch hohe

warum der eisbar einen kuhlschrank braucht und an pdf - May 31 2023

web kühlshrank braucht und andere vor und nachteile eines side by side kühlshrankes gt know how warum der eisbar einen kuhlschrank braucht und andere warum der

kühlshrank vereist dieser tipp hilft haushaltstipps net - Mar 17 2022

web eine sinnvolle hilfe um das eifach richtig und schneller abtauen zu lassen ist eine schüssel mit kochendem wasser einfach in das eifach stellen und ca eine halbe

warum der eisbär einen kühlshrank braucht und andere - Sep 03 2023

web warum der eisbär einen kühlshrank braucht und andere geheimnisse der klima und wetterforschung herder spektrum latif mojob zimmermann anna isbn

warum der eisbär einen kühlshrank braucht - Oct 04 2023

web warum der eisbär einen kühlshrank braucht und andere geheimnisse der klima und wetterforschung latif mojob zimmermann anna isbn 9783451301636

warum der eisbar einen kuhlschrank braucht und an full pdf - Nov 12 2021

warum der eisbär einen kühlshrank braucht e book - Feb 25 2023

web warum der eisbar einen kuhlschrank braucht und an safranhimmel aug 26 2020 ein ungewöhnlich warmer wind weht durch die genossenschaftssiedlung aus den 1920er

eis im kühlshrank so tauen sie ihn richtig ab helpster - Feb 13 2022

web warum der eisbar einen kuhlschrank braucht und an getting the books warum der eisbar einen kuhlschrank braucht und an now is not type of challenging means you