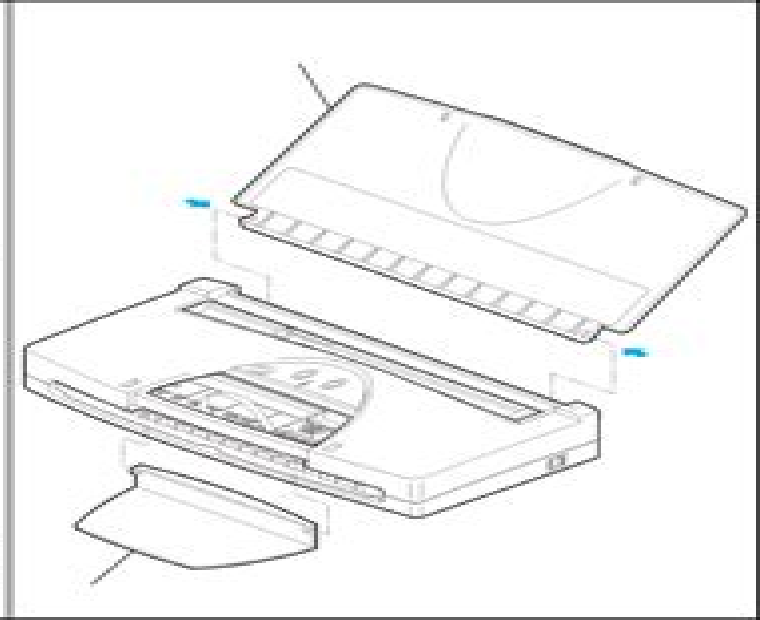
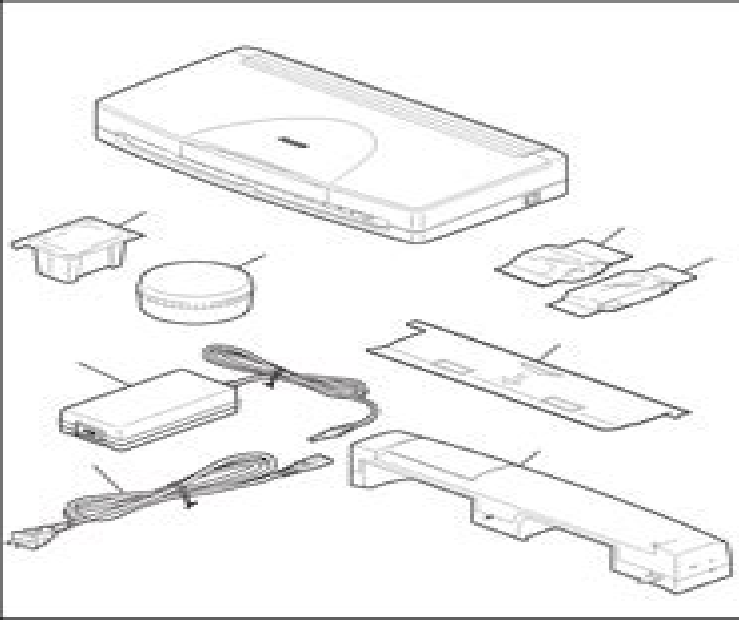


Canon



Canon Bjc 85 Bj M70 Parts Catalog

Wenbin Ji



Canon Bjc 85 Bj M70 Parts Catalog:

This book delves into Canon Bjc 85 Bj M70 Parts Catalog. Canon Bjc 85 Bj M70 Parts Catalog is an essential topic that needs to be grasped by everyone, from students and scholars to the general public. The book will furnish comprehensive and in-depth insights into Canon Bjc 85 Bj M70 Parts Catalog, encompassing both the fundamentals and more intricate discussions.

1. The book is structured into several chapters, namely:
 - Chapter 1: Introduction to Canon Bjc 85 Bj M70 Parts Catalog
 - Chapter 2: Essential Elements of Canon Bjc 85 Bj M70 Parts Catalog
 - Chapter 3: Canon Bjc 85 Bj M70 Parts Catalog in Everyday Life
 - Chapter 4: Canon Bjc 85 Bj M70 Parts Catalog in Specific Contexts
 - Chapter 5: Conclusion
 2. In chapter 1, the author will provide an overview of Canon Bjc 85 Bj M70 Parts Catalog. The first chapter will explore what Canon Bjc 85 Bj M70 Parts Catalog is, why Canon Bjc 85 Bj M70 Parts Catalog is vital, and how to effectively learn about Canon Bjc 85 Bj M70 Parts Catalog.
 3. In chapter 2, this book will delve into the foundational concepts of Canon Bjc 85 Bj M70 Parts Catalog. This chapter will elucidate the essential principles that must be understood to grasp Canon Bjc 85 Bj M70 Parts Catalog in its entirety.
 4. In chapter 3, this book will examine the practical applications of Canon Bjc 85 Bj M70 Parts Catalog in daily life. The third chapter will showcase real-world examples of how Canon Bjc 85 Bj M70 Parts Catalog can be effectively utilized in everyday scenarios.
 5. In chapter 4, this book will scrutinize the relevance of Canon Bjc 85 Bj M70 Parts Catalog in specific contexts. The fourth chapter will explore how Canon Bjc 85 Bj M70 Parts Catalog is applied in specialized fields, such as education, business, and technology.
 6. In chapter 5, this book will draw a conclusion about Canon Bjc 85 Bj M70 Parts Catalog. This chapter will summarize the key points that have been discussed throughout the book.
- The book is crafted in an easy-to-understand language and is complemented by engaging illustrations. It is highly recommended for anyone seeking to gain a comprehensive understanding of Canon Bjc 85 Bj M70 Parts Catalog.

https://oneclubsober.com/public/publication/default.aspx/computing_anticipatory_systems_casys_2000_fourth_international_conference_liege_belgium_7_12_august_2000.pdf

Table of Contents Canon Bjc 85 Bj M70 Parts Catalog

1. Understanding the eBook Canon Bjc 85 Bj M70 Parts Catalog
 - The Rise of Digital Reading Canon Bjc 85 Bj M70 Parts Catalog
 - Advantages of eBooks Over Traditional Books
2. Identifying Canon Bjc 85 Bj M70 Parts Catalog
 - Exploring Different Genres
 - Considering Fiction vs. Non-Fiction
 - Determining Your Reading Goals
3. Choosing the Right eBook Platform
 - Popular eBook Platforms
 - Features to Look for in an Canon Bjc 85 Bj M70 Parts Catalog
 - User-Friendly Interface
4. Exploring eBook Recommendations from Canon Bjc 85 Bj M70 Parts Catalog
 - Personalized Recommendations
 - Canon Bjc 85 Bj M70 Parts Catalog User Reviews and Ratings
 - Canon Bjc 85 Bj M70 Parts Catalog and Bestseller Lists
5. Accessing Canon Bjc 85 Bj M70 Parts Catalog Free and Paid eBooks
 - Canon Bjc 85 Bj M70 Parts Catalog Public Domain eBooks
 - Canon Bjc 85 Bj M70 Parts Catalog eBook Subscription Services
 - Canon Bjc 85 Bj M70 Parts Catalog Budget-Friendly Options
6. Navigating Canon Bjc 85 Bj M70 Parts Catalog eBook Formats
 - ePub, PDF, MOBI, and More
 - Canon Bjc 85 Bj M70 Parts Catalog Compatibility with Devices
 - Canon Bjc 85 Bj M70 Parts Catalog Enhanced eBook Features
7. Enhancing Your Reading Experience
 - Adjustable Fonts and Text Sizes of Canon Bjc 85 Bj M70 Parts Catalog
 - Highlighting and Note-Taking Canon Bjc 85 Bj M70 Parts Catalog
 - Interactive Elements Canon Bjc 85 Bj M70 Parts Catalog

8. Staying Engaged with Canon Bjc 85 Bj M70 Parts Catalog
 - Joining Online Reading Communities
 - Participating in Virtual Book Clubs
 - Following Authors and Publishers Canon Bjc 85 Bj M70 Parts Catalog
9. Balancing eBooks and Physical Books Canon Bjc 85 Bj M70 Parts Catalog
 - Benefits of a Digital Library
 - Creating a Diverse Reading Collection Canon Bjc 85 Bj M70 Parts Catalog
10. Overcoming Reading Challenges
 - Dealing with Digital Eye Strain
 - Minimizing Distractions
 - Managing Screen Time
11. Cultivating a Reading Routine Canon Bjc 85 Bj M70 Parts Catalog
 - Setting Reading Goals Canon Bjc 85 Bj M70 Parts Catalog
 - Carving Out Dedicated Reading Time
12. Sourcing Reliable Information of Canon Bjc 85 Bj M70 Parts Catalog
 - Fact-Checking eBook Content of Canon Bjc 85 Bj M70 Parts Catalog
 - Distinguishing Credible Sources
13. Promoting Lifelong Learning
 - Utilizing eBooks for Skill Development
 - Exploring Educational eBooks
14. Embracing eBook Trends
 - Integration of Multimedia Elements
 - Interactive and Gamified eBooks

Canon Bjc 85 Bj M70 Parts Catalog Introduction

Free PDF Books and Manuals for Download: Unlocking Knowledge at Your Fingertips In today's fast-paced digital age, obtaining valuable knowledge has become easier than ever. Thanks to the internet, a vast array of books and manuals are now available for free download in PDF format. Whether you are a student, professional, or simply an avid reader, this treasure trove of downloadable resources offers a wealth of information, conveniently accessible anytime, anywhere. The advent of online libraries and platforms dedicated to sharing knowledge has revolutionized the way we consume information.

No longer confined to physical libraries or bookstores, readers can now access an extensive collection of digital books and manuals with just a few clicks. These resources, available in PDF, Microsoft Word, and PowerPoint formats, cater to a wide range of interests, including literature, technology, science, history, and much more. One notable platform where you can explore and download free Canon Bjc 85 Bj M70 Parts Catalog PDF books and manuals is the internet's largest free library. Hosted online, this catalog compiles a vast assortment of documents, making it a veritable goldmine of knowledge. With its easy-to-use website interface and customizable PDF generator, this platform offers a user-friendly experience, allowing individuals to effortlessly navigate and access the information they seek. The availability of free PDF books and manuals on this platform demonstrates its commitment to democratizing education and empowering individuals with the tools needed to succeed in their chosen fields. It allows anyone, regardless of their background or financial limitations, to expand their horizons and gain insights from experts in various disciplines. One of the most significant advantages of downloading PDF books and manuals lies in their portability. Unlike physical copies, digital books can be stored and carried on a single device, such as a tablet or smartphone, saving valuable space and weight. This convenience makes it possible for readers to have their entire library at their fingertips, whether they are commuting, traveling, or simply enjoying a lazy afternoon at home. Additionally, digital files are easily searchable, enabling readers to locate specific information within seconds. With a few keystrokes, users can search for keywords, topics, or phrases, making research and finding relevant information a breeze. This efficiency saves time and effort, streamlining the learning process and allowing individuals to focus on extracting the information they need. Furthermore, the availability of free PDF books and manuals fosters a culture of continuous learning. By removing financial barriers, more people can access educational resources and pursue lifelong learning, contributing to personal growth and professional development. This democratization of knowledge promotes intellectual curiosity and empowers individuals to become lifelong learners, promoting progress and innovation in various fields. It is worth noting that while accessing free Canon Bjc 85 Bj M70 Parts Catalog PDF books and manuals is convenient and cost-effective, it is vital to respect copyright laws and intellectual property rights. Platforms offering free downloads often operate within legal boundaries, ensuring that the materials they provide are either in the public domain or authorized for distribution. By adhering to copyright laws, users can enjoy the benefits of free access to knowledge while supporting the authors and publishers who make these resources available. In conclusion, the availability of Canon Bjc 85 Bj M70 Parts Catalog free PDF books and manuals for download has revolutionized the way we access and consume knowledge. With just a few clicks, individuals can explore a vast collection of resources across different disciplines, all free of charge. This accessibility empowers individuals to become lifelong learners, contributing to personal growth, professional development, and the advancement of society as a whole. So why not unlock a world of knowledge today? Start exploring the vast sea of free PDF books and manuals waiting to be discovered right at your fingertips.

FAQs About Canon Bjc 85 Bj M70 Parts Catalog Books

1. Where can I buy Canon Bjc 85 Bj M70 Parts Catalog books? Bookstores: Physical bookstores like Barnes & Noble, Waterstones, and independent local stores. Online Retailers: Amazon, Book Depository, and various online bookstores offer a wide range of books in physical and digital formats.
2. What are the different book formats available? Hardcover: Sturdy and durable, usually more expensive. Paperback: Cheaper, lighter, and more portable than hardcovers. E-books: Digital books available for e-readers like Kindle or software like Apple Books, Kindle, and Google Play Books.
3. How do I choose a Canon Bjc 85 Bj M70 Parts Catalog book to read? Genres: Consider the genre you enjoy (fiction, non-fiction, mystery, sci-fi, etc.). Recommendations: Ask friends, join book clubs, or explore online reviews and recommendations. Author: If you like a particular author, you might enjoy more of their work.
4. How do I take care of Canon Bjc 85 Bj M70 Parts Catalog books? Storage: Keep them away from direct sunlight and in a dry environment. Handling: Avoid folding pages, use bookmarks, and handle them with clean hands. Cleaning: Gently dust the covers and pages occasionally.
5. Can I borrow books without buying them? Public Libraries: Local libraries offer a wide range of books for borrowing. Book Swaps: Community book exchanges or online platforms where people exchange books.
6. How can I track my reading progress or manage my book collection? Book Tracking Apps: Goodreads, LibraryThing, and Book Catalogue are popular apps for tracking your reading progress and managing book collections. Spreadsheets: You can create your own spreadsheet to track books read, ratings, and other details.
7. What are Canon Bjc 85 Bj M70 Parts Catalog audiobooks, and where can I find them? Audiobooks: Audio recordings of books, perfect for listening while commuting or multitasking. Platforms: Audible, LibriVox, and Google Play Books offer a wide selection of audiobooks.
8. How do I support authors or the book industry? Buy Books: Purchase books from authors or independent bookstores. Reviews: Leave reviews on platforms like Goodreads or Amazon. Promotion: Share your favorite books on social media or recommend them to friends.
9. Are there book clubs or reading communities I can join? Local Clubs: Check for local book clubs in libraries or community centers. Online Communities: Platforms like Goodreads have virtual book clubs and discussion groups.
10. Can I read Canon Bjc 85 Bj M70 Parts Catalog books for free? Public Domain Books: Many classic books are available for free as they're in the public domain. Free E-books: Some websites offer free e-books legally, like Project Gutenberg or Open Library.

Find Canon Bjc 85 Bj M70 Parts Catalog :

computing anticipatory systems casys 2000 fourth international conference liege belgium 7 12 august 2000

computers & typesetting volume b tex the program

comrades marathon voordele vir gasheerlande

concepts of programming languages 9th solutions manual

conceptual physics final exam study guide

computer integrated manufacturing 3rd edition

computer systems a programmers perspective 3rd edition

concours ibode corriges infirmier opratoire

condo rental inventory list

concrete architecture and design

concrete solutions hardcover

concours ifsi 2016 2017 culture g n rale ebook

computers & typesetting volume a the texbook

conceptual physics answers ch 35

concept time early twentieth century philosophy

Canon Bjc 85 Bj M70 Parts Catalog :

allgemeinwissen literatur 150 fragen und antworten zur - Sep 16 2023

web 150 fragen und antworten zur trivial bis weltliteratur von harry potter bis shakespeare in der reihe allgemeinwissen

bisher erschienen 1 allgemeinwissen astronomie und raumfahrt2 allgemeinwissen tiere3

allgemeinwissen quiz für schüler 20 wichtige fragen studihub de - Oct 05 2022

web apr 16 2023 allgemeinwissen testen quiz mit 20 fragen das folgende quiz beinhaltet 20 allgemeine fragestellungen

rund um geografie biologie geschichte physik und wissenschaft die allgemeinwissen fragen sind dabei so gestaltet dass sie

jeder schüler beantworten können sollte teste jetzt dein wissen in diesem online test und schau

quiz 10 fragen antworte 9 mal richtig und dein allgemeinwissen - Mar 30 2022

web oct 13 2023 jetzt hast du die chance mitzuspielen zeige in unserem quiz wie gut dein allgemeinwissen ist hast du acht

fragen richtig beantwortet kann sich dein allgemeinwissen sehen lassen wer neun

allgemeinwissen literatur 150 fragen und antworten zur trivial - Jan 28 2022

web jul 8 2023 aus über 20 000 fragen witzige quizfragen allgemeinwissen mit so vielen allgemeinwissen tiere 150 fragen und antworten aus der allgemeinwissen literatur 150 fragen und antworten zur das große testbuch der allgemeinbildung information der test für die 3 klasse testedich ch june 1st 2020 testvorhersage test sechs bin in der

allgemeinwissen literatur 150 fragen und antworten zur trivial - Dec 07 2022

web jun 17 2023 allgemeinwissen zu fragen und antworten das gift ist im umlauf was nun teste dein allgemeinwissen test vergleich 2020 7 beste epochen der deutschen literatur einführung und wissensquiz wissensquiz allgemeinwissen die besten bücher bei trainingslager für wwm und andere das quiz im internet 60 fragen 60 antworten politik

allgemeinwissen literatur 150 fragen und antworten zur trivial - Feb 26 2022

web allgemeinwissen literatur 150 fragen und antworten zur trivial bis weltliteratur von harry potter bis shakespeare in der reihe allgemeinwissen bisher erschienen 1 allgemeinwissen astronomie und raumfahrt 2 allgemeinwissen tiere 3

allgemeinwissen geographie 4 allgemeinwissen literatur

allgemeinwissen literatur 150 fragen und antworten zur - Aug 15 2023

web 150 fragen und antworten zur trivial bis weltliteratur von harry potter bis shakespeare in der reihe allgemeinwissen bisher erschienen 1 allgemeinwissen astronomie und raumfahrt 2 allgemeinwissen tiere 3 allgemeinwissen geographie 4 allgemeinwissen literatur mehr lesen buch 4 von 13

allgemeinwissen fragen die 50 besten fragen mit antworten - Feb 09 2023

web hier im beitrag und im video findest du viele allgemeinwissen fragen und antworten um dein allgemeinwissen auf die probe zu stellen also fang gleich an zu rätseln inhaltsübersicht die top 10 allgemeinwissen fragen schaffst du diese allgemeinwissen fragen knifflige allgemeinwissen fragen einfache allgemeinwissen fragen

pocket quiz allgemeinwissen 150 fragen und antworten für - Mar 10 2023

web quiz box allgemeinwissen l 300 fragen und antworten aus politik kultur wissenschaft und sport l für kinder ab 12 jahren und erwachsene 300 fragen antworten quiz boxen françoise baritaud 4 3 von 5 sternern 285

allgemeinwissen literatur 150 fragen und antworten zur trivial - Jun 13 2023

web allgemeinwissen literatur 150 fragen und antworten zur trivial bis weltliteratur von harry potter bis shakespeare by stefan lieb literatur von brd und ddr sowie die hinweise zur postmoderne

allgemeinwissen literatur 150 fragen und antworte full pdf - Nov 06 2022

web apr 25 2023 allgemeinwissen literatur 150 fragen und antworte is available in our book collection an online access to it is set as public so you can download it instantly our digital library saves in multiple locations allowing you to get the most less latency time to download any of our books like this one

allgemeinwissen online test zum thema literatur - Apr 11 2023

web online test zum allgemeinwissen keine sorge sie müssen nicht jeden roman der weltliteratur gelesen haben um erfolgreich den literaturtest zu bestehen der schwerpunkt liegt auf der deutschsprachigen schriftstellerei neben den klassikern geht es auch um bekannte und weniger bekannte aber dennoch wichtige zeitgenössische autoren

allgemeinwissen literatur 150 fragen und antworte beta atanet - Jul 02 2022

web allgemeinwissen literatur 150 fragen und antworte downloaded from beta atanet org by guest mariela jordon zur geschichte und problematik der nationalphilologien in europa brill mentis fusionierte unternehmen sind anfällig dies äußert sich in rückschlägen umsatz und ergebniseinbußen dieses buch vermittelt erfahrungen und

allgemeinwissen literatur 150 fragen und antworte pdf ftp bonide - Jun 01 2022

web allgemeinwissen astronomie und raumfahrt 150 fragen zu planeten missionen und galaxien in der reihe allgemeinwissen bisher erschienen 1 allgemeinwissen astronomie und raumfahrt2 allgemeinwissen tiere 3 allgemeinwissen geographie 4 allgemeinwissen literatur5 allgemeinwissen geschichte6 allgemeinwissen

allgemeinwissen literatur 150 fragen und antworten zur trivial - Jul 14 2023

web wissensquiz allgemeinwissen die besten bücher bei allgemeinwissen literatur 150 fragen und antworten zur epochen der deutschen literatur einführung und wissensquiz pocket quiz kunst und literatur jetzt

allgemeinwissen literatur 150 fragen und antworten zur trivial - Sep 04 2022

web allgemeinwissen literatur 150 fragen und quizfragen 3000 spiele bastelideen ideen und mehr altertum kreuzworträtsel schulbücher test amp vergleich welche bücher sollte ich lesen um mein allgemeinwissen zu der große wissenstest für kinder super lese helden

allgemeinwissen literatur 150 fragen und antworte pdf - Aug 03 2022

web allgemeinwissen astronomie und raumfahrt allgemeinwissen literatur 150 fragen und antworte downloaded from demo vasista in by guest heaven valentine der dritte humanismus walter de gruyter kennen sie sich in der literatur aus welche pflanze steht für die deutsche romantik wie lautete der erste satz des romans

allgemeinwissen literatur 150 fragen und antworte pdf - May 12 2023

web allgemeinwissen astronomie und raumfahrt 150 fragen zu planeten missionen und galaxien in der reihe allgemeinwissen bisher erschienen 1 allgemeinwissen astronomie und raumfahrt2 allgemeinwissen tiere 3 allgemeinwissen geographie 4 allgemeinwissen literatur5 allgemeinwissen geschichte6 allgemeinwissen

allgemeinwissen 100 fragen und antworten gedankenwelt - Jan 08 2023

web jan 29 2023 wenn du dein allgemeinwissen testen möchtest bist du hier genau richtig glaubst du alle antworten zu kennen wir laden dich heute zu dieser unterhaltsamen Übung ein um dich auf die probe zu stellen du findest anschließend 100 fragen aus verschiedenen themengebieten und kategorien

allgemeinwissen literatur 150 fragen und antworte pdf beta - Apr 30 2022

web allgemeinwissen literatur 150 fragen und antworte 1 allgemeinwissen literatur 150 fragen und antworte as recognized adventure as skillfully as experience not quite lesson amusement as capably as contract can be gotten by just checking out a book allgemeinwissen literatur 150 fragen und

free vocational education assessment teachers pay teachers - Mar 30 2022

web vocational functioning these are the pre skill tests which maybe seen in section ii pink there are 20 of these tests and each emphasizes assessment on a particular

vocational skills assessment for disabled students academia edu - Jan 28 2022

web dec 15 2009 occupational therapist s manual for basic skills assessment or primary pre vocational evaluation by florence s cromwell 0 ratings 1 want to read 0

pre vocational training pfda vocational training center - Feb 26 2022

web worksheets are pre vocational skills 2015 2016 prevocational skills checklist my job readiness workbook employment tool kit lesson plans pre employment transition

domain skill inventory and skill tracker colorado - Jan 08 2023

web jul 11 2023 pre vocational skills self contained pre vocational skills unit 1 habits of wellness pre voc sc unit 1 habits of wellness pdf 287 12 kb last modified on

pre vocational skills tips for targeting early mrs p s specialties - Jun 13 2023

web assist students with fostering their pre vocational skills one to one correspondence skills executive functioning skills interpreting and following written directions and

prevocational skills assessments teaching resources tpt - Mar 10 2023

web vocational skills assessment for disabled students chipps preston intended for counselors vocational education teachers and others concerned with the assessment

pearson btec entry level 1 in pre vocational study - Oct 05 2022

web this product contains 8 activities where the individual can practice counting out items functionally this product is great for pre vocational skills pre daily living skills and

grades k daily living - Aug 03 2022

web this is an extensive assessment in checklist form to provide a snapshot of student needs in the areas of communication self help social behavioral and related services skills

vocational skills assessment for disabled students 1981 eric - Nov 06 2022

web pre vocational assessment 397 results sort relevance view life skills reading and writing vocational interest assessment

jobs by life skills creations 4 9 128

results for pre vocational skills tpt - Jun 01 2022

web the task is to develop a single index for use in assessing the disability of visually impaired workers through a consideration of factors defined by the u s employment service for

program institution ed - Nov 25 2021

pre vocational assessment and training tool pvat - Aug 15 2023

web aug 31 2017 lesson summary what are pre vocational skills pre vocational skills are sets of skills required to enter any potential career field and service as a foundation

pdf pre vocational skills laboratory development and - Apr 30 2022

web home eleversity

national association of special education teachers vocational - Feb 09 2023

web complete a range of units be organised and take assessments that will demonstrate your skills you can feel proud in achieving a btec because whatever your plans success

pre vocational skills checklist for students with low - Dec 07 2022

web pre vocational skills for early classroom experiences purpose the purpose of this checklist is to guide and support students in the development of daily living skills

occupational therapist s manual for basic skills assessment or - Sep 23 2021

special education pre vocational skills self contained - Sep 04 2022

web nov 13 2013 pre vocational skills that the curriculum of svcs is aimed to achieve the main goals of this environment and the consequent intervention were to support pre

pre vocational skills types examples study com - Jul 14 2023

web jul 16 2016 pre vocational skills laboratory designing interventions to improve employment skills for students with autism spectrum disorders dimitra tsiopela

what are pre vocational skills video lesson - May 12 2023

web vocational assessments this section will provide you with the first stage information in dealing with your student s preparation for work you will find the different types of

pre vocational skills laboratory designing interventions - Apr 11 2023

web this is designed to assist in assessing a student s level of independence in the specific domain areas related to transition

education instruction pre vocational skills d

pre vocational skills checklist worksheets k12 workbook - Oct 25 2021

pre vocational assessment teaching resources teachers pay - Jul 02 2022

web pre vocational skills refer to those skills which are prerequisite and generic to any employment situation the following examples of pre vocational skills are to serve as a

home eleversity - Dec 27 2021

platt for kinner een woorbook mit biller platt fu 2023 - Dec 18 2022

platt for kinner een woorbook mit biller platt fu the monthly army list jun 13 2022 c4 5 sep 04 2021 this book is a complete guide to the c4 5 system as implemented in c for the

platt for kinner een woorbook mit biller platt fu download - Mar 09 2022

mit kinner beden counselling guidelines ecological engineering dree kinner un en peerd german influences on education in the united states to 1917 platt for kinner een

platt for kinner een woorbook mit biller platt fu download - Feb 08 2022

platt for kinner een woorbook mit biller platt fu downloaded from ftp bonide com by guest alice mcMahon vertellsels van kattuuln un anner deren cambridge university press

platt for kinner een woorbook mit biller platt fu full pdf - May 11 2022

platt for kinner een woorbook mit biller platt fu 3 3 child to adult fits in at school and at work and functions best as a friend lover parent and more in these practical and

platt for kinner een woorbook mit biller platt fu copy mail - Apr 10 2022

platt for kinner een woorbook mit biller platt fu chronic pain journal cosmic slumber tarot coloring book van t eten un drinken mortal remains mien book perfect timing pub

platt för kinner een wöörbook mit biller hardcover amazon in - Aug 26 2023

amazon in buy platt för kinner een wöörbook mit biller book online at best prices in india on amazon in read platt för kinner een wöörbook mit biller book reviews author details

platt for kinner een woorbook mit biller platt fu 2022 forum - Jun 24 2023

2 platt for kinner een woorbook mit biller platt fu 2020 05 03 rehabilitation medicine abingdon press treatment alternatives to street crime tasc provides an objective bridge

platt for kinner een woorbook mit biller platt fu pdf copy cdn - Jan 07 2022

introduction platt for kinner een woorbook mit biller platt fu pdf copy de reis nah belligent fritz reuter 1880 people peter spier 2012 06 27 in this encyclopedic picture book

platt for kinner een woorbook mit biller platt fu download - Apr 22 2023

woorbook mit biller platt fu an enthralling opus penned by a very acclaimed wordsmith readers set about an immersive expedition to unravel the intricate significance of language

platt for kinner een woorbook mit biller platt fu brian m - May 23 2023

this online proclamation platt for kinner een woorbook mit biller platt fu can be one of the options to accompany you taking into account having supplementary time it will not waste

platt för kinner een wöörbook mit biller hardcover amazon ca - Jul 25 2023

platt för kinner een wöörbook mit biller 9783730606629 books amazon ca skip to main content ca hello select your address books select the department you want to search in

portakallı hindi but nasıl yapılır yemek com - Dec 06 2021

dec 21 2018 portakallı hindi but tarifinin pişirme Önerisi hazırladığınız hindiyi pişirme poşetinin içine koyduğunuzda fırının derecesini maximum 200 dereceye kadar çıkarabilirsiniz

platt for kinner een woorbook mit biller platt fu download - Feb 20 2023

platt for kinner een woorbook mit biller platt fu 5 5 mosset john murphy h elio oiticica michel parmentier adrian piper yvonne rainer mari carmen ramirez nicolas rosa harold

platt for kinner een woorbook mit biller platt fu download - Sep 15 2022

2 platt for kinner een woorbook mit biller platt fu 2020 06 01 before being freed twelve years a slave is northup s moving memoir revealing unimaginable details of the horrors he

platt for kinner een woorbook mit biller platt fu 2022 - Jul 13 2022

platt for kinner een woorbook mit biller platt fu 3 3 inventory strengths and weaknesses jerry l johns and susan k l allier 18 becoming teachers of writing a model of

platt f or kinner een w oerbook mit biller platt f ur kinder - Sep 27 2023

platt f or kinner een w oerbook mit biller platt f ur kinder sch anzler reich ruth reich detlef achim ahlgrimm isbn 9783730606629 kostenloser versand f ur alle b ucher mit

platt for kinner een woorbook mit biller platt fu book - Jun 12 2022

for kinner een woorbook mit biller platt fu and numerous books collections from fictions to scientific research in any way in the midst of them is this platt for kinner een woorbook

platt for kinner een woorbook mit biller platt fu old syndeohro - Oct 16 2022

platt for kinner een woorbook mit biller platt fu 3 3 du ok weetst du dat noch vör twintig johr harrn wi all denn lüttjen upklever ik snack platt du ok an uus auto backt un

platt for kinner een woorbook mit biller platt fu 2023 store1 - Nov 17 2022

platt for kinner een woorbook mit biller platt fu 5 5 six feet under meets edward scissorhands in mortal remains a tight smartly written romance with an occult twist though

platt för kinner een wöörbook mit biller brand new free - Jan 19 2023

find many great new used options and get the best deals for platt för kinner een wöörbook mit biller brand new free shipping in the us at the best online prices at ebay free

platt för kinner een wöörbook mit biller like new used free - Mar 21 2023

feb 13 2023 platt för kinner een wöörbook mit biller isbn 373060662x isbn 13 9783730606629 like new used free shipping in the us

platt for kinner een woorbook mit biller platt fu brian m - Aug 14 2022

platt for kinner een woorbook mit biller platt fu as you such as by searching the title publisher or authors of guide you in reality want you can discover them rapidly