

Canon

FIGURE 1

PRINTER & PRINT HEAD

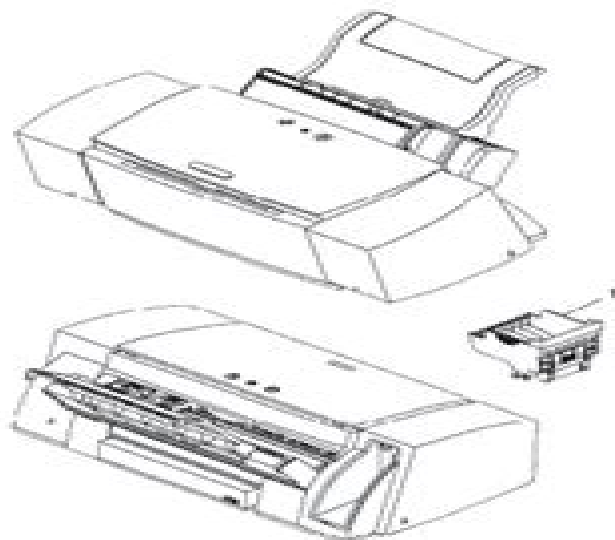
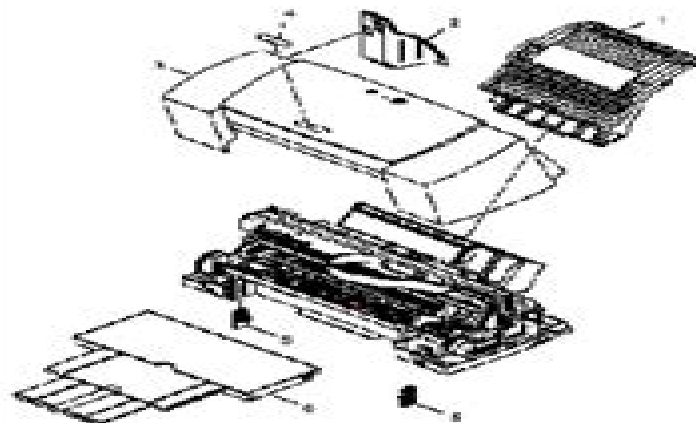


FIGURE 2

TRAY & COVER



NUM.	PART #	DESCRIPTION
------	--------	-------------

1 - 1	QY6-0039-000	PRINT HEAD
-------	--------------	------------

NUM.	PART #	DESCRIPTION
------	--------	-------------

2 - 1	QM2-0425-000	PAPER SUPPORT UNIT
2	QC1-1659-000	COVER, IF
3	QM2-0455-000	UPPER COVER UNIT
4	QC1-1652-000	PLATE, MODEL NAME
5	QC1-1650-000	STOPPER, TRAY (2)
6	QM2-0460-000	OUT PUT TRAY UNIT

Canon I9100 Parts Catalog

SA Adler



Canon I9100 Parts Catalog:

Photoshop Elements 4: The Missing Manual Barbara Brundage, 2005-10-31 The popularity of digital cameras continues to grow exponentially They are now more powerful feature rich and affordable turning digital photography into a mainstream interest And with Photoshop Elements Adobe has created the most popular photo editing program on the planet Learning how to work Photoshop Elements and manage digital photos can be a challenge for anyone just getting started from the hobbyist to the pro photographer With the latest Photoshop Elements 4 update Adobe delivers a powerful new program that provides photo editing and organizing functionality with improved performance The updated version also includes new more intuitive features that are streamlined and easier to use when the photographer has the right learning tool in hand With Photoshop Elements 4 The Missing Manual author Barbara Brundage has written the perfect digital photography guide In a clear easy to read format the author provides step by step instruction so readers can learn what they need to do to edit their photos successfully and manage their collection This new edition also includes more than a dozen downloadable images so readers can practice using the editing tools Readers will master useful editing techniques from the most common to the advanced Automatically correct red eye and skin tones Select and extract complex objects with the Magic Selection Brush and The Magic Extractor Create photomontages Restore old photographs Post photos on the web Manage and archive an entire collection Design a custom slide show with panning and zooming capabilities Once photographers learn how to edit their photos successfully they ll also learn how to post them online or upload them to the Kodak EasyShare Gallery for use in creating personal mailing lists post cards calendars and much more Photoshop Elements 4 The Missing Manual is for any photographer interested in learning the right editing techniques for producing and sharing beautiful digital photography Photoshop Elements 4 The Missing Manual covers the Windows version of the software only When we published the book there was no Mac version of the software as there is now and for various reasons we ve been unable to update this edition to include the Mac version Nonetheless if you re on a Mac you can use this book Just substitute Command for Ctrl and Option for Alt whenever you see keystroke shortcuts and about 98 percent of the Editor functions will work the same The sections on the Organizer only apply to Windows because the Mac version has no Organizer **Digit** ,2004 **The British Journal of Photography** ,2004 Macworld ,2003 **Star Parts Catalog** Star Parts, Inc,1962 **Parts Catalog** ,1969 Spare Parts Catalog Engineering and Research Corporation (ERCO),1946 **F.27 Friendship Illustrated Parts Catalog** Fokker,

Embark on a transformative journey with Explore the World with its captivating work, **Canon I9100 Parts Catalog** . This enlightening ebook, available for download in a convenient PDF format Download in PDF: , invites you to explore a world of boundless knowledge. Unleash your intellectual curiosity and discover the power of words as you dive into this riveting creation. Download now and elevate your reading experience to new heights .

https://oneclubsober.com/results/uploaded-files/index.jsp/cub_cadet_lt1050_manual.pdf

Table of Contents Canon I9100 Parts Catalog

1. Understanding the eBook Canon I9100 Parts Catalog
 - The Rise of Digital Reading Canon I9100 Parts Catalog
 - Advantages of eBooks Over Traditional Books
2. Identifying Canon I9100 Parts Catalog
 - Exploring Different Genres
 - Considering Fiction vs. Non-Fiction
 - Determining Your Reading Goals
3. Choosing the Right eBook Platform
 - Popular eBook Platforms
 - Features to Look for in an Canon I9100 Parts Catalog
 - User-Friendly Interface
4. Exploring eBook Recommendations from Canon I9100 Parts Catalog
 - Personalized Recommendations
 - Canon I9100 Parts Catalog User Reviews and Ratings
 - Canon I9100 Parts Catalog and Bestseller Lists
5. Accessing Canon I9100 Parts Catalog Free and Paid eBooks
 - Canon I9100 Parts Catalog Public Domain eBooks
 - Canon I9100 Parts Catalog eBook Subscription Services
 - Canon I9100 Parts Catalog Budget-Friendly Options

6. Navigating Canon I9100 Parts Catalog eBook Formats
 - ePub, PDF, MOBI, and More
 - Canon I9100 Parts Catalog Compatibility with Devices
 - Canon I9100 Parts Catalog Enhanced eBook Features
7. Enhancing Your Reading Experience
 - Adjustable Fonts and Text Sizes of Canon I9100 Parts Catalog
 - Highlighting and Note-Taking Canon I9100 Parts Catalog
 - Interactive Elements Canon I9100 Parts Catalog
8. Staying Engaged with Canon I9100 Parts Catalog
 - Joining Online Reading Communities
 - Participating in Virtual Book Clubs
 - Following Authors and Publishers Canon I9100 Parts Catalog
9. Balancing eBooks and Physical Books Canon I9100 Parts Catalog
 - Benefits of a Digital Library
 - Creating a Diverse Reading Collection Canon I9100 Parts Catalog
10. Overcoming Reading Challenges
 - Dealing with Digital Eye Strain
 - Minimizing Distractions
 - Managing Screen Time
11. Cultivating a Reading Routine Canon I9100 Parts Catalog
 - Setting Reading Goals Canon I9100 Parts Catalog
 - Carving Out Dedicated Reading Time
12. Sourcing Reliable Information of Canon I9100 Parts Catalog
 - Fact-Checking eBook Content of Canon I9100 Parts Catalog
 - Distinguishing Credible Sources
13. Promoting Lifelong Learning
 - Utilizing eBooks for Skill Development
 - Exploring Educational eBooks
14. Embracing eBook Trends
 - Integration of Multimedia Elements

- Interactive and Gamified eBooks

Canon I9100 Parts Catalog Introduction

In the digital age, access to information has become easier than ever before. The ability to download Canon I9100 Parts Catalog has revolutionized the way we consume written content. Whether you are a student looking for course material, an avid reader searching for your next favorite book, or a professional seeking research papers, the option to download Canon I9100 Parts Catalog has opened up a world of possibilities. Downloading Canon I9100 Parts Catalog provides numerous advantages over physical copies of books and documents. Firstly, it is incredibly convenient. Gone are the days of carrying around heavy textbooks or bulky folders filled with papers. With the click of a button, you can gain immediate access to valuable resources on any device. This convenience allows for efficient studying, researching, and reading on the go. Moreover, the cost-effective nature of downloading Canon I9100 Parts Catalog has democratized knowledge. Traditional books and academic journals can be expensive, making it difficult for individuals with limited financial resources to access information. By offering free PDF downloads, publishers and authors are enabling a wider audience to benefit from their work. This inclusivity promotes equal opportunities for learning and personal growth. There are numerous websites and platforms where individuals can download Canon I9100 Parts Catalog. These websites range from academic databases offering research papers and journals to online libraries with an expansive collection of books from various genres. Many authors and publishers also upload their work to specific websites, granting readers access to their content without any charge. These platforms not only provide access to existing literature but also serve as an excellent platform for undiscovered authors to share their work with the world. However, it is essential to be cautious while downloading Canon I9100 Parts Catalog. Some websites may offer pirated or illegally obtained copies of copyrighted material. Engaging in such activities not only violates copyright laws but also undermines the efforts of authors, publishers, and researchers. To ensure ethical downloading, it is advisable to utilize reputable websites that prioritize the legal distribution of content. When downloading Canon I9100 Parts Catalog, users should also consider the potential security risks associated with online platforms. Malicious actors may exploit vulnerabilities in unprotected websites to distribute malware or steal personal information. To protect themselves, individuals should ensure their devices have reliable antivirus software installed and validate the legitimacy of the websites they are downloading from. In conclusion, the ability to download Canon I9100 Parts Catalog has transformed the way we access information. With the convenience, cost-effectiveness, and accessibility it offers, free PDF downloads have become a popular choice for students, researchers, and book lovers worldwide. However, it is crucial to engage in ethical downloading practices and prioritize personal security when utilizing online platforms. By doing so, individuals can make the most of the vast array of free PDF resources available and embark on a journey of continuous

learning and intellectual growth.

FAQs About Canon I9100 Parts Catalog Books

How do I know which eBook platform is the best for me? Finding the best eBook platform depends on your reading preferences and device compatibility. Research different platforms, read user reviews, and explore their features before making a choice. Are free eBooks of good quality? Yes, many reputable platforms offer high-quality free eBooks, including classics and public domain works. However, make sure to verify the source to ensure the eBook credibility. Can I read eBooks without an eReader? Absolutely! Most eBook platforms offer webbased readers or mobile apps that allow you to read eBooks on your computer, tablet, or smartphone. How do I avoid digital eye strain while reading eBooks? To prevent digital eye strain, take regular breaks, adjust the font size and background color, and ensure proper lighting while reading eBooks. What the advantage of interactive eBooks? Interactive eBooks incorporate multimedia elements, quizzes, and activities, enhancing the reader engagement and providing a more immersive learning experience. Canon I9100 Parts Catalog is one of the best book in our library for free trial. We provide copy of Canon I9100 Parts Catalog in digital format, so the resources that you find are reliable. There are also many Ebooks of related with Canon I9100 Parts Catalog. Where to download Canon I9100 Parts Catalog online for free? Are you looking for Canon I9100 Parts Catalog PDF? This is definitely going to save you time and cash in something you should think about. If you trying to find then search around for online. Without a doubt there are numerous these available and many of them have the freedom. However without doubt you receive whatever you purchase. An alternate way to get ideas is always to check another Canon I9100 Parts Catalog. This method for see exactly what may be included and adopt these ideas to your book. This site will almost certainly help you save time and effort, money and stress. If you are looking for free books then you really should consider finding to assist you try this. Several of Canon I9100 Parts Catalog are for sale to free while some are payable. If you arent sure if the books you would like to download works with for usage along with your computer, it is possible to download free trials. The free guides make it easy for someone to free access online library for download books to your device. You can get free download on free trial for lots of books categories. Our library is the biggest of these that have literally hundreds of thousands of different products categories represented. You will also see that there are specific sites catered to different product types or categories, brands or niches related with Canon I9100 Parts Catalog. So depending on what exactly you are searching, you will be able to choose e books to suit your own need. Need to access completely for Campbell Biology Seventh Edition book? Access Ebook without any digging. And by having access to our ebook online or by storing it on your computer, you have convenient answers with Canon I9100 Parts Catalog To get started finding Canon I9100 Parts Catalog, you are right to find our website which has a

comprehensive collection of books online. Our library is the biggest of these that have literally hundreds of thousands of different products represented. You will also see that there are specific sites catered to different categories or niches related with Canon I9100 Parts Catalog So depending on what exactly you are searching, you will be able to choose ebook to suit your own need. Thank you for reading Canon I9100 Parts Catalog. Maybe you have knowledge that, people have search numerous times for their favorite readings like this Canon I9100 Parts Catalog, but end up in harmful downloads. Rather than reading a good book with a cup of coffee in the afternoon, instead they juggled with some harmful bugs inside their laptop. Canon I9100 Parts Catalog is available in our book collection an online access to it is set as public so you can download it instantly. Our digital library spans in multiple locations, allowing you to get the most less latency time to download any of our books like this one. Merely said, Canon I9100 Parts Catalog is universally compatible with any devices to read.

Find Canon I9100 Parts Catalog :

[cub cadet lt1050 manual](#)

[cub cadet 1517 manual](#)

[cts certified technology specialist exam guide 2015 edition](#)

[cub cadet rzt 50 kw maintenance manual](#)

[cub cadet 1018 t maintenance manual](#)

[cub cadet gc145 manual](#)

[cub cadet 2130 owners manual](#)

crystal reports xi manual

[cub cadet m60 tank manual](#)

cryptography and network security lab manual

crusader 454 engine manual

[crystal lace necklace patterns bead weaving technique](#)

cub cadet lt1050 owners manual

crusader kings game manual

[cub cadet gt1554 manual](#)

Canon I9100 Parts Catalog :

klett die deutsch helden das große Übungsbuch für deutsch helden 1 klasse - Dec 27 2021

web klett die deutsch helden das große Übungsbuch für deutsch helden 1 klasse deutsch in der grundschule buch format 17 1 x 24 0 cm 157 seiten isbn 978 3 12 949561 2 informationen für lehrer innen und referendar innen 12 95 lieferung bei online bestellwert ab 9 95 versandkostenfrei innerh

klett rechnen bis 20 1 klasse kaufinbw - Mar 30 2022

web klett rechnen bis 20 1 klasse jetzt online kaufen bei kaufinbw im geschäft in sinsheim vorrätig online bestellen versandkostenfrei ab 25 00

klett die mathe helden rechnen bis 20 1 klasse mathematik - Jun 13 2023

web in diesem Übungsheft können kinder selbständig alle wichtigen lerninhalte zum thema rechnen bis 20 in der 1 klasse wiederholen und üben kleine lernportionen sorgen für schnelle erfolgserlebnisse und überfordern grundschul Kinder zeitlich nicht

klett die mathe helden das große Übungsbuch für mathe helden 3 klasse - Feb 26 2022

web klett die mathe helden das große Übungsbuch für mathe helden 3 klasse im buch blättern klett die mathe helden das große Übungsbuch für mathe helden 3 klasse mathematik in der grundschule buch format 17 2

klett rechnen bis 20 1 klasse 109493392 6 95 moluna de - Apr 30 2022

web unser laden 02571 5 69 89 33 persönlicher kundenservice anmelden 0 artikel 0 00 menu menu romane

klett knobelaufgaben für mathe helden 1 klasse grundschule - Jan 08 2023

web klett knobelaufgaben für mathe helden 1 klasse mathematik in der grundschule buch format 16 9 x 24 0 cm 64 seiten isbn 978 3 12 949607 7 informationen für lehrer innen und referendar innen 6 95 in den warenkorb denk und knobelspaß für kleine mathe helden Üben üben üben

klett die mathe helden rechnen bis 20 1 klasse bücher de - Feb 09 2023

web so wirst du zum helden in mathe in jedem heft gibt es ein spannendes abenteuer du kannst üben üben üben und wirst so zum meister für richtige aufgaben gibt es belohnungs sticker diese verraten dir am schluss durch das große lösungsbild wie das abenteuer ausgeht

klett die mathe helden rechnen bis 20 1 klasse thalia - May 12 2023

web jan 11 2016 90 000 schulbücher lernhilfen bei thalia klett die mathe helden rechnen bis 20 1 klasse jetzt bestellen

klett rechnen bis 100 2 klasse mathematik Übungsheft für die - Jan 28 2022

web klett die mathe helden rechnen bis 20 1 klasse mathematik grundschule mit stickern 6 95 auf lager

klett rechnen bis 20 1 klasse hugendubel fachinformationen - Nov 06 2022

web klett rechnen bis 20 1 klasse von jetzt online bestellen portofrei schnell zuverlässig kein mindestbestellwert individuelle rechnung 20 millionen titel

klett die mathe helden kopfrechnen 1 klasse mathematik in der - Sep 04 2022

web klett die mathe helden kopfrechnen 1 klasse mathematik in der grundschule mit stickern amazon de bücher

klett rechnen bis 20 1 klasse sander manon ernster - Jul 02 2022

web mathematik in der grundschule die mathe helden buch geheftet sander manon 64 seiten

klett rechnen bis 20 1 klasse grundschule - Mar 10 2023

web alle wichtigen lerninhalte im fach rechnen der 1 klasse werden geübt und wiederholt plus und minusaufgaben bis 20 umgang mit mengen richtig viel üben auch auf zwei levels basis und förderseiten für individuellen lernfortschritt extra mit großem sticker lösungsbild für den sichtbaren lernerfolg

klett die mathe helden rechnen bis 20 1 klasse orell füssli - Dec 07 2022

web die mathe helden 1 klasse klett die mathe helden rechnen bis 20 1 klasse schulbuch geheftet

klett die mathe helden mathe testblock 1 klasse rechnen und - Aug 03 2022

web klett die mathe helden mathe testblock 1 klasse rechnen und mathematik in der grundschule für tests klassenarbeiten lernzielkontrollen und lernzielkontrollen und schulaufgaben amazon de bücher

klett die mathe helden rechnen bis 20 1 klasse bei hugendubel - Apr 11 2023

web klett die mathe helden rechnen bis 20 1 klasse buch geheftet bei hugendubel de online bestellen oder in der filiale abholen

klett die mathe helden rechnen bis 20 1 klasse 2016 - Jun 01 2022

web entdecken sie klett die mathe helden rechnen bis 20 1 klasse 2016 pamphlet in der großen auswahl bei ebay klett die mathe helden rechnen bis 20 1 klasse 2016 pamphlet schreiben sie die erste rezension Über dieses produkt aktuelle folie current slide von total slides top artikel brandneu eur 5 99

klett die mathe helden rechnen bis 20 1 klasse wällermarkt - Oct 05 2022

web klett die mathe helden rechnen bis 20 1 klasse jetzt online kaufen bei wällermarkt im geschäft im wällermarkt vorrätig online bestellen versandkostenfrei ab 20 00 klasse wällermarkt

klett die mathe helden rechnen bis 20 1 klasse müller - Jul 14 2023

web alle wichtigen lerninhalte im fach rechnen der 1 klasse werden geubt und wiederholt plus und minusaufgaben bis 20 umgang mit mengen richtig viel uben auch auf zwei levels basis und forderseiten für individuellen lernfortschritt

klett rechnen bis 20 1 klasse grundschule - Aug 15 2023

web so wirst du zum helden in mathe in jedem heft gibt es ein spannendes abenteuer du kannst üben üben üben und wirst so

zum meister für richtige aufgaben gibt es belohnungs sticker diese verraten dir am schluss durch das große lösungsbild wie das abenteuer ausgeht alle wichtigen lerninhalte im fach rechnen der 1

medication sheets general student support allnurses - May 01 2022

web oct 11 2009 we are to complete medication sheets on different types of drugs what exactly is on a medication sheet community forums nurse career nurses share learn connect allnurses mission since 1997 has been to help nurses students and aspiring nurses achieve their educational career and personal goals

medication sheet template 10 free word excel pdf - Feb 27 2022

web medication sheet templates feature high quality and professional design than plain papers making them the best option to use for prescribing the right dosage the use of term sheet templates is actually a powerful marketing strategy for a chemist as customers will appreciate the prescription presented to them in a modern way the professional

medication sheet 10 examples format pdf examples - Jul 15 2023

web what is a medication sheet a medication sheet presents significant information on the intended use of medicines that an individual must know of this may be used to track a patient s daily medication as a medication profile or even to

free medication list templates for patients and caregivers - Jan 09 2023

web jul 31 2021 this article gives an overview of how to use personal medication list templates to make medication management easier including caregiver checklists weekly medication trackers side effects trackers patient medication feedback trackers and a medication inventory template

helpful medicine chart template for tracking your meds - Mar 31 2022

web mar 16 2022 for nurses and caretakers medication schedule templates are even more beneficial as they ensure a level of consistency across different charts and multiple patients but there are other benefits as well

medications calculations practice navitas professional - Oct 06 2022

web 4 a dose of 2g of medication has ordered for a patient the medication comes in 4g 0 4ml what volume will you give the patient 0 2ml 5 a dose of 4500mg of medication has ordered for a patient the medication comes in 5g 0 3ml what volume will you give the patient 0 27 0 3ml 6 a dose of 3500mg of medication has ordered for a patient

essential guide to medications for nurses nursebuff - Nov 07 2022

web oct 5 2020 47250 here s something useful for new nurses a guide to medications for nurses a nurse s shift never ends without preparing and giving medications to patients for this reason mastering every little detail about medication preparation and administration is essential in improving your skill competency as a nurse

medication management strategy intervention agency for - Jun 02 2022

web medication management is a strategy for engaging with patients and caregivers to create a complete and accurate

medication list using the brown bag method a complete and accurate medication list is the foundation for addressing medication reconciliation and medication management issues

9 medication sheet templates free sample example format - Jul 03 2022

web for example daily medication sheet record create 4 5 columns this is where you need to input the data for the medication you are taking on the first column write medication this is the name of the medicine being taken on the next column write dosage this is where you will put the dosage 5mg 10mg etc per medicine

40 great medication schedule templates medication calendars - Aug 04 2022

web using a medicine schedule template is almost like having your personal nurse tasked to remind you of your future doctor s appointments daily medication doses and pointers on how to maintain a healthier lifestyle the template can plan not just for hours or days but also for weeks or months and even years

free nursing cheat sheets download now lecturio - Jun 14 2023

web an overview of a client s medication rights and guidelines for administering medication download now abdominal assessment order tips overview of abdominal physical assessment including normal and abnormal findings download now abg interpretation guide how to interpret abgs and the basics of how compensation works download now

drug reference sheets ons - Apr 12 2023

web this resource from ons clinical staff provides information through a nursing lens and includes the drug s indication side effect profile nursing considerations patient education talking points and more find drug reference sheets

free medication schedule templates pdf word excel - May 13 2023

web a medication schedule template is a chart used to organize the times and dates for when to take medicine they provide the consumer with an easy way to check off medications they have taken as well as track medications they re currently prescribed

pharmacology for nurses collection of study guides nurseslabs - Dec 08 2022

web simplified study guides for pharmacology for nurses useful tips in understanding different drugs and medicines a perfect nclex review companion check out also the sample test bank questions for each study guide

25 free medication list templates word excel - Mar 11 2023

web choose a format the format of a medication list can be in the form of downloaded templates as word excel or pdf with the format chosen a patient can go ahead and use it to record their medication information

medication management for health practitioners - Jan 29 2022

web medication charts medication charts enable safe and accountable medication management by providing a full picture of a patient s medicine and health records including what medicines have been prescribed supplied and administered patient

allergies and adverse medicine reactions

nursing cheat sheets easy guides forms and charts about - Dec 28 2021

web collection of different nursing cheat sheets to help student nurses master nursing concepts faster and in a smarter way check out our nursing cheat sheets for nursing assessment nursing lab values and more all downloadable via pdf

printable nursing school templates free download unbound medicine - Feb 10 2023

web free nursing templates there s no question that nursing school is challenging so we re here to help alleviate some of that burden below you will find several fillable templates for drug cards concept maps and care plans all for free no email required no hidden fees no limitations no strings attached available templates

nursing drug handbook nursing center - Sep 05 2022

web aug 10 2002 now in its 44th edition nursing2024 drug handbook delivers the most current nursing focused information on more than 3 800 generic brand name and combination drugs new includes 21 brand new fda approved drugs tabbed and conveniently grouped in a handy new drugs section for easy retrieval new

pharmacology cheat sheet generic drug stems nurseslabs - Aug 16 2023

web apr 28 2015 generic drug name stems cheat sheet updated on may 6 2023 by matt vera bsn r n if you are studying nursing pharmacology a great way of understanding and memorizing the use and function of medication is to

introduktion thema und variationen o op av 52 hor pdf - Nov 28 2021

web introduktion thema und variationen o op av 52 hor downloaded from ai classmonitor com by guest clara brewer
introduktion thema und variationen

introduktion thema und variationen o op av 52 hor download - Aug 18 2023

web introduktion thema und variationen o op av 52 hor introduktion thema und variationen o op av 52 hor 2 downloaded from interactivearchivist archivists org

introduktion thema und variationen o op av 52 hor ol wise edu - Aug 06 2022

web 2 introduktion thema und variationen o op av 52 hor 2022 03 14 introduktion thema und variationen o op av 52 hor downloaded from ol wise edu jo by guest

vediiklim yayınları 2022 Öabt okul Öncesi trendyol - May 03 2022

web kampanya fiyatından satılmak üzere 5 adetten az stok bulunmaktadır bir ürün birden fazla satıcı tarafından satılabilir birden fazla satıcı tarafından satışa sunulan ürünlerin

avrupa ya akan servet tarih konu anlatımı ders tarih - Apr 02 2022

web nov 3 2021 avrupa ya akan servet bu yazımızda tarih dersi konu anlatımları kapsamında 11 sınıf tarih dersinin 2 ünitesi olan değişim Çağında avrupa ve osmanlı ünitesinin 2

introduktion thema und variationen o op av 52 hor pdf - Dec 10 2022

web jun 12 2023 free pdf download introduktion thema und variationen o web introduktion thema und variationen o op av 52 hor guide to new york city landmarks jan 06 2023

introduktion thema und variationen o op av 52 hor pdf - Sep 07 2022

web may 31 2023 thema und variationen o op av 52 hor pdf and numerous ebook collections from fictions to scientific research in any way in the middle of them is this

introduktion thema und variationen o op av 52 horn und - Jul 17 2023

web introduktion thema und variationen o op av 52 horn und klavier edition schott strauss richard isbn 9790001025249 kostenloser versand für alle bücher mit

aklımdavar Öabt okul Öncesi Öğretmenliği konu anlatımı - Jun 04 2022

web aklımdavar Öabt okul Öncesi Öğretmenliği konu anlatımı İbrahim İşkar aklımdavar yayıncılık

introduktion thema und variationen o op av 52 hor - Dec 30 2021

web 2 introduktion thema und variationen o op av 52 hor 2020 12 20 lehrplan ersetzt die bisherige ausgabe be 3523 und umfasst alle grundlagen eines qualifizierten

introduktion thema und variationen o op av 52 hor full pdf - Jul 05 2022

web introduktion thema und variationen o op av 52 hor 5 5 berlins in der zweiten hälfte des 18 jahrhunderts ist einer der schwerpunkt des neuen jahrbuchs walter salmen

introduktion thema und variationen o op av 52 hor pdf full pdf - Mar 13 2023

web free pdf download introduktion thema und variationen o web introduktion thema und variationen o op av 52 hor guide to new york city landmarks jan 06 2023 provides

introduktion thema und variationen o op av 52 hor securev - Jun 16 2023

web introduktion thema und variationen o op av 52 hor 3 3 daphne bryan gilliam discusses the genesis of both the text and the music in the final scene of daphne

introduktion thema und variationen o op av 52 horn und - Jan 11 2023

web may 28 2023 substantially banknotes introduktion thema und variationen o op av 52 horn und klavier edition schott by richard strauss is reachable in our pdf gathering an

introduktion thema und variationen o op av 52 hor jostein - Nov 09 2022

web jan 22 2023 4731895 introduktion thema und variationen o op av 52 hor 2 12 downloaded from help frey com on by guest cognitive development are expanded gee

introduktion thema und variationen o op av 52 hor - Mar 01 2022

web introduction thema und variationen für flöte und klavier o op 56 trenner verzeichnis trv 76 library of congress catalog
the catalogue of printed music in the british

introduktion thema und variationen o op av 52 hor pdf - Oct 28 2021

web 2 introduktion thema und variationen o op av 52 hor 2022 07 02 neal lauren lehrplan gitarre oxford university press
uniform titles for music explains the concept

introduktion thema und variationen o op av 52 horn und - Feb 12 2023

web jun 26 2023 introduktion thema und variationen o op av 52 horn und klavier edition schott by richard strauss as one of
the greater part running sellers here will entirely be

introduktion thema und variationen o op av 52 horn und - Oct 08 2022

web sep 11 2023 sheet music introduktion thema und variationen o op av 52 horn das ard nachtkonzert iv radio br klassik
variation musik introduktion thema und variationen

introduktion thema und variationen o op av 52 hor old vulkk - Sep 19 2023

web introduktion thema und variationen o op av 52 hor 3 3 musik über musik in übersichtlicher form nachgewiesen zu allen
zeiten haben sich komponisten mit der

introduktion thema und variationen o op av 52 1878 - Apr 14 2023

web provided to youtube by cdbabyintroduktion thema und variationen o op av 52 1878 luc van marcke daniel capellettifranz
and richard strauss rossini

introduktion thema und variationen o op av 52 - May 15 2023

web richard strauss introduktion thema und variationen o op av 52 horn und klavier noten für horn verlag schott musik
bestellnummer cor14 schnelle lieferung jetzt

introduktion thema und variationen o op av 52 hor unifi like - Jan 31 2022

web introduktion thema und variationen o op av 52 hor lehrplan gitarre lehrplan klarinette introduction thema und
variationen für flöte und klavier o op 56 trenner